

Village of West Unity, Ohio
South Main Street Water Line Replacement, 2024

ADDENDUM 1

October 15, 2024

Planholders on the Village of West Unity, Ohio, South Main Street Water Line Replacement, 2024, are hereby notified of the following amendments to the Contract Documents. This Addendum is hereby made a part of the Contract Documents.

SPECIFICATIONS

Replace the following Specifications with that attached to this Addendum:

- C-410 Bid Form
- Section 01010 – Definition of Contract Items

Planholders should update the Table of Contents to reflect the above Sections.

DRAWINGS

Replace the following existing Drawings with that attached to this Addendum:

- Sheet No. G-0.1, 1 of 13
- Sheet No. G-0.3, 3 of 13
- Sheet No. SR-0.1, 11 of 13
- Sheet No. SR-1.1-2, 12 of 13
- Sheet No. SR-2.1-2, 13 of 13

Add the following new Drawings attached to this Addendum.

- Sheet No. G-0.3A, 3A of 13
- Sheet No. SR-1.1-2A, 12A of 13
- Sheet No. SR-2.1-2A, 13A of 13

Planholders should update the Drawing Index to reflect the above changes.

An updated Table of Contents and Drawing Index will be included in the Issued for Construction Project Manual.

Attachments:	C-410 Bid Form	Sheet No. SR-1.1-2, 12 of 13
	Section 01010 – Definition of Contract Items	Sheet No. SR-2.1-2, 13 of 13
	Sheet No. G-0.1, 1 of 13	Sheet No. G-0.3A, 3A of 13
	Sheet No. G-0.3, 3 of 13	Sheet No. SR-1.1-2A, 12A of 13
	Sheet No. SR-0.1, 11 of 13	Sheet No. SR-2.1-2A, 13A of 13

RECEIPT OF THIS ADDENDUM MUST BE ACKNOWLEDGED ON PAGE C-410-1 OF THE BID.

BID FORM

Village of West Unity, Ohio
South Main Street Water Line Replacement

ARTICLE 1 – BID RECIPIENT

1.01 This Bid is submitted to:

Village of West Unity, Ohio
Post Office Box 207
224 West Jackson Street
West Unity, Ohio 43570

1.02 The undersigned Bidder proposes and agrees, if this Bid is accepted, to enter into an Agreement with Owner in the form included in the Bidding Documents to perform all Work as specified or indicated in the Bidding Documents for the prices and within the times indicated in this Bid and in accordance with the other terms and conditions of the Bidding Documents.

ARTICLE 2 – BIDDER’S ACKNOWLEDGEMENTS

2.01 Bidder accepts all of the terms and conditions of the Instructions to Bidders, including without limitation those dealing with the disposition of Bid security. This Bid will remain subject to acceptance for 60 days after the Bid opening, or for such longer period of time that Bidder may agree to in writing upon request of Owner.

ARTICLE 3 – BIDDER’S REPRESENTATIONS

3.01 In submitting this Bid, Bidder represents that:

A. Bidder has examined and carefully studied the Bidding Documents, and any data and reference items identified in the Bidding Documents, and hereby acknowledges receipt of the following Addenda:

<u>Addendum No.</u>	<u>Addendum, Date</u>
_____	_____
_____	_____
_____	_____
_____	_____

B. Bidder has visited the Site, conducted a thorough, alert visual examination of the Site and adjacent areas, and become familiar with and satisfied itself as to the general, local, and Site conditions that may affect cost, progress, and performance of the Work.

C. Bidder is familiar with and has satisfied itself as to all Laws and Regulations that may affect cost, progress, and performance of the Work.

- D. Bidder has carefully studied all: (1) reports of explorations and tests of subsurface conditions at or adjacent to the Site and all drawings of physical conditions relating to existing surface or subsurface structures at the Site that have been identified in the Supplementary Conditions, especially with respect to Technical Data in such reports and drawings, and (2) reports and drawings relating to Hazardous Environmental Conditions, if any, at or adjacent to the Site that have been identified in the Supplementary Conditions, especially with respect to Technical Data in such reports and drawings.
- E. Bidder has considered the information known to Bidder itself; information commonly known to contractors doing business in the locality of the Site; information and observations obtained from visits to the Site; the Bidding Documents; and any Site-related reports and drawings identified in the Bidding Documents, with respect to the effect of such information, observations, and documents on (1) the cost, progress, and performance of the Work; (2) the means, methods, techniques, sequences, and procedures of construction to be employed by Bidder; and (3) Bidder's safety precautions and programs.
- F. Bidder agrees, based on the information and observations referred to in the preceding paragraph, that no further examinations, investigations, explorations, tests, studies, or data are necessary for the determination of this Bid for performance of the Work at the price bid and within the times required, and in accordance with the other terms and conditions of the Bidding Documents.
- G. Bidder is aware of the general nature of work to be performed by Owner and others at the Site that relates to the Work as indicated in the Bidding Documents.
- H. Bidder has given Engineer written notice of all conflicts, errors, ambiguities, or discrepancies that Bidder has discovered in the Bidding Documents, and confirms that the written resolution thereof by Engineer is acceptable to Bidder.
- I. The Bidding Documents are generally sufficient to indicate and convey understanding of all terms and conditions for the performance and furnishing of the Work.
- J. The submission of this Bid constitutes an incontrovertible representation by Bidder that Bidder has complied with every requirement of this Article, and that without exception the Bid and all prices in the Bid are premised upon performing and furnishing the Work required by the Bidding Documents.

ARTICLE 4 – BIDDER'S CERTIFICATION

4.01 Bidder certifies that:

- A. This Bid is genuine and not made in the interest of or on behalf of any undisclosed individual or entity and is not submitted in conformity with any collusive agreement or rules of any group, association, organization, or corporation;
- B. Bidder has not directly or indirectly induced or solicited any other Bidder to submit a false or sham Bid;
- C. Bidder has not solicited or induced any individual or entity to refrain from bidding; and

- D. Bidder has not engaged in corrupt, fraudulent, collusive, or coercive practices in competing for the Contract. For the purposes of this Paragraph 4.01.D:
1. “corrupt practice” means the offering, giving, receiving, or soliciting of any thing of value likely to influence the action of a public official in the bidding process;
 2. “fraudulent practice” means an intentional misrepresentation of facts made (a) to influence the bidding process to the detriment of Owner, (b) to establish bid prices at artificial non-competitive levels, or (c) to deprive Owner of the benefits of free and open competition;
 3. “collusive practice” means a scheme or arrangement between two or more Bidders, with or without the knowledge of Owner, a purpose of which is to establish bid prices at artificial, non-competitive levels; and
 4. “coercive practice” means harming or threatening to harm, directly or indirectly, persons or their property to influence their participation in the bidding process or affect the execution of the Contract.

ARTICLE 5 – BASIS OF BID

5.01 Bidder will choose to bid the Work as either Open Cut Installation methods or Trenchless Installation methods.

5.02 Open Cut Installation

- A. Bidder will complete the Work in accordance with the Contract Documents for the price(s) included on C-410-4 and through C-410-57. Bidder shall fill in all blanks on the Bid Form.

5.03 Trenchless Installation

- A. Bidder will complete the Work in accordance with the Contract Documents for the price(s) included on C-410-8 through C-410-11. Bidder shall fill in all blanks on the Bid Form.

(Addendum 1, Issued October 15, 2024)

OPEN CUT UNIT PRICE BID

(Addendum 1, Issued October 15, 2024)

Bidder acknowledges that (1) each Bid Unit Price includes an amount considered by Bidder to be adequate to cover Contractor’s overhead and profit for each separately identified item, and (2) estimated quantities are not guaranteed, and are solely for the purpose of comparison of Bids, and final payment for all unit price Bid items will be based on actual quantities, determined as provided in the Contract Documents.

Item No.	Description	Estimated Quantity	Unit	Unit Cost in Numbers		Unit Price in Words	Total Estimated Cost of Item	
1	Mobilization and Demobilization	1	LS					
2	Video Recording Zone of Influence	1	LS					
3	Storm Water Pollution Prevention Plan	1	LS					
4	Maintenance of Traffic	1	LS					
5a	Tree Removal Less Than or Equal to 12 Inches	12	EA					
5b	Tree Removal Greater than 12 Inches	7	EA					
6a	8-Inch Water Line, Type B	524	LF					
6b	8-Inch Water Line, Type C	738	LF					
6c	12-Inch Water Line, Type B	9	LF					
6d	Connection to Existing Water Main	2	EA					
6e	Existing Water Main Plugged	1	EA					

982-8048.001
10/2024

Addendum 1 – Issued for Bid
West Unity, Ohio
South Main Street Water Line Replacement

Item No.	Description	Estimated Quantity	Unit	Unit Cost in Numbers		Unit Price in Words		Total Estimated Cost of Item	
6f	Water Main Termination and Abandonment	3	EA						
7a	8-Inch Gate Valve and Box	3	EA						
7b	12-Inch Gate Valve and Box	1	EA						
7c	12-Inch x 8-Inch Tapping Sleeve, Valve, and Box	1	EA						
7d	Valve Abandoned	5	EA						
8a	Fire Hydrant Assembly, Type A	1	EA						
8b	Fire Hydrant Assembly, Type B	2	EA						
8c	Fire Hydrant Removed	2	EA						
9a	Water Service Connection Reinstated (2-Inch or less)	23	EA						
9b	Water Service Tubing Open Cut (2-Inch and Less)	695	LF						
9c	Water Service Tubing Trenchless (2-Inch and Less)	275	LF						
9d	Remove and Replace Meter Pit	1	EA						

982-8048.001
10/2024

Addendum 1 – Issued for Bid
West Unity, Ohio
South Main Street Water Line Replacement

Item No.	Description	Estimated Quantity	Unit	Unit Cost in Numbers		Unit Price in Words	Total Estimated Cost of Item	
10a	ODOT Item 254 Pavement Planing, 1.5-Inch	320	SY					
10b	ODOT Item 301 Asphaltic Concrete Base Course	48	CY					
10be	ODOT Item 304 Aggregate Base	203 91	CY					
10cd	ODOT Item 407 Tack Coat	53	GAL					
10e	1-3/4 Inch ODOT Item 441 Asphalt Concrete Intermediate Course Type II (448)	28	CY					
10df	1-1/2-Inch ODOT Item 441 Asphalt Concrete Surface Course Type I (448)	38 16	CY					
10eg	ODOT Item 411 Stabilized Crushed Aggregate (Berm and Drive)	21	CY					
11a	6-Inch ODOT Item 452 Non-Reinforced Concrete Pavement, Class MS (Driveway)	91	SY					
11b	4-Inch Concrete Sidewalk	3,120 3,415	SF					
11c	6-Inch Concrete Sidewalk	260	SF					
11d	6-Inch Concrete Sidewalk and Curb Ramp With Detectable Warning Surface	2 1	EA					
12a	Concrete Curb Removal	200 100	LF					

982-8048.001
10/2024

Addendum 1 – Issued for Bid
West Unity, Ohio
South Main Street Water Line Replacement

Item No.	Description	Estimated Quantity	Unit	Unit Cost in Numbers		Unit Price in Words	Total Estimated Cost of Item	
12b	Concrete Curb, Type 6	200-100	LF					
13	Topsoil, Seeding, and Mulching	1,392	SY					
14a	Asphalt Trench Repair – Local Street	291	SY					
14b	Asphalt Trench Repair – S Main Street	245	SY					
Total Estimated Open Cut Construction Cost:								

(Addendum 1, Issued October 15, 2024)

TRENCHLESS UNIT PRICE BID

Bidder acknowledges that (1) each Bid Unit Price includes an amount considered by Bidder to be adequate to cover Contractor’s overhead and profit for each separately identified item, and (2) estimated quantities are not guaranteed, and are solely for the purpose of comparison of Bids, and final payment for all unit price Bid items will be based on actual quantities, determined as provided in the Contract Documents.

Item No.	Description	Estimated Quantity	Unit	Unit Cost in Numbers		Unit Price in Words	Total Estimated Cost of Item	
1	Mobilization and Demobilization	1	LS					
2	Video Recording Zone of Influence	1	LS					
3	Storm Water Pollution Prevention Plan	1	LS					
4	Maintenance of Traffic	1	LS					
5a	Tree Removal Less Than or Equal to 12 Inches	4	EA					
5b	Tree Removal Greater than 12 Inches	5	EA					
6a	8-Inch Water Line, Type B	524	LF					
6b	8-Inch Water Line, Type C	738	LF					
6c	12-Inch Water Line, Type B	9	LF					
6d	Connection to Existing Water Main	2	EA					
6e	Existing Water Main Plugged	1	EA					

982-8048.001
10/2024

Addendum 1 – Issued for Bid
West Unity, Ohio
South Main Street Water Line Replacement

Item No.	Description	Estimated Quantity	Unit	Unit Cost in Numbers		Unit Price in Words	Total Estimated Cost of Item	
6f	Water Main Termination and Abandonment	3	EA					
7a	8-Inch Gate Valve and Box	3	EA					
7b	12-Inch Gate Valve and Box	1	EA					
7c	12-Inch x 8-Inch Tapping Sleeve, Valve, and Box	1	EA					
7d	Valve Abandoned	5	EA					
8a	Fire Hydrant Assembly, Type A	1	EA					
8b	Fire Hydrant Assembly, Type B	2	EA					
8c	Fire Hydrant Removed	2	EA					
9a	Water Service Connection Reinstated (2-Inch or less)	23	EA					
9b	Water Service Tubing Open Cut (2-Inch and Less)	695	LF					
9c	Water Service Tubing Trenchless (2-Inch and Less)	275	LF					
9d	Remove and Replace Meter Pit	1	EA					

982-8048.001
10/2024

Addendum 1 – Issued for Bid
West Unity, Ohio
South Main Street Water Line Replacement

Item No.	Description	Estimated Quantity	Unit	Unit Cost in Numbers		Unit Price in Words	Total Estimated Cost of Item	
10a	ODOT Item 254 Pavement Planing, 1.5-Inch	320	SY					
10b	ODOT Item 304 Aggregate Base	45	CY					
10c	ODOT Item 407 Tack Coat	53	GAL					
10d	1-1/2-Inch ODOT Item 441 Asphalt Concrete Surface Course Type I (448)	16	CY					
10e	ODOT Item 411 Stabilized Crushed Aggregate (Berm and Drive)	17	CY					
11a	6-Inch ODOT Item 452 Non-Reinforced Concrete Pavement, Class MS (Driveway)	49	SY					
11b	4-Inch Concrete Sidewalk	931	SF					
11c	6-Inch Concrete Sidewalk	0	SF					
11d	6-Inch Concrete Sidewalk and Curb Ramp With Detectable Warning Surface	0	EA					
12a	Concrete Curb Removal	28	LF					
12b	Concrete Curb, Type 6	28	LF					
13	Topsoil, Seeding, and Mulching	1,392	SY					
14a	Asphalt Trench Repair – Local Street	89	SY					

982-8048.001
10/2024

Addendum 1 – Issued for Bid
West Unity, Ohio
South Main Street Water Line Replacement

Item No.	Description	Estimated Quantity	Unit	Unit Cost in Numbers		Unit Price in Words	Total Estimated Cost of Item	
14b	Asphalt Trench Repair – S Main Street	69	SY					
Total Estimated Trenchless Construction Cost:								

(Addendum 1, Issued October 15, 2024)

ARTICLE 6 – TIME OF COMPLETION

- 6.01 Bidder agrees that the Work will be substantially complete and will be completed and ready for final payment in accordance with Paragraph 15.06 of the General Conditions on or before the dates or within the number of calendar days indicated in the Agreement.
- 6.02 Bidder accepts the provisions of the Agreement as to liquidated damages.

ARTICLE 7 – ATTACHMENTS TO THIS BID

- 7.01 The following documents are submitted with and made a condition of this Bid:
- A. Required Bid security;
 - B. Evidence of authority to do business in the state of the Project; and
 - C. C-800 Exhibit 2 – OPWC Proposal Notes.

ARTICLE 8 – DEFINED TERMS

- 8.01 The terms used in this Bid with initial capital letters have the meanings stated in the Instructions to Bidders, the General Conditions, and the Supplementary Conditions.

ARTICLE 9 – BID SUBMITTAL

BIDDER: *[Indicate correct name of bidding entity]*

By:

[Signature] _____

[Printed name] _____

(If Bidder is a corporation, a limited liability company, a partnership, or a joint venture, attach evidence of authority to sign.)

Attest:

[Signature] _____

[Printed name] _____

Title: _____

Submittal Date: _____

Address for giving notices: _____

Telephone Number: _____

Fax Number: _____

Contact Name and e-mail address: _____

Bidder's License No.: _____

(where applicable)

PERSONAL PROPERTY TAX AFFIDAVIT

STATE OF OHIO)
)ss.
COUNTY OF _____)

_____, being first duly sworn, deposes and says as follows: answering whichever is applicable by placing an "X" before items 1 or 2.

1. () We are not charged with any delinquent personal property taxes on the general tax list of personal property in _____ County, Ohio.
2. () We are charged with delinquent personal property taxes on the general tax list of _____ County, Ohio including unpaid penalties and interest in the amount of \$_____.

Bidder

By: _____

Title: _____

Sworn and subscribed before me this _____ day of _____ 20 ____.

Notary Public in and for

_____ State

My Commission Expires:

_____ 20 _____

**SECTION 01010
DEFINITION OF CONTRACT ITEMS**

PART 1 GENERAL

1.01 FOREWORD

- A. This Section describes the various Contract Items listed in the Bid.

1.02 WORK INCLUDED

- A. Under each Item the Contractor shall furnish all labor, materials, tools, plant equipment, supplies, maintenance of equipment, heating, lighting and power, insurance and bonds, coordination, and all Work and in accordance with the Specifications Parts A, B, and Divisions 1 through 16 of Part C and necessary to complete the Work in accordance with the obvious or expressed intent of the Contract Documents.

1.03 WORKMANSHIP AND MATERIALS

- A. The quality of workmanship and materials entering into any and all of the Items and the Work included shall conform to pertinent sections, paragraphs, sentences, and clauses, both directly and indirectly applicable thereto, contained in the Contract Documents, whether or not direct reference to such occurs under each Item in this Section.

1.04 PAYMENT

- A. The lump sum and unit prices stated in the Bid shall be payment in full for the completion of all Work specified and described or required to be included in the Contract, complete, and ready for use.

PART 2 PRODUCTS

Not used.

PART 3 EXECUTION

Not used.

PART 4 SPECIAL PROVISIONS

4.01 CONTRACT ITEMS

- A. The contract items are defined on the following pages.

**ITEM 1
MOBILIZATION AND DEMOBILIZATION**

1.01 DESCRIPTION

- A. This Item is intended to pay non-recurring costs to the Contractor not recovered under other pay Items of the Contract.
- B. This Item shall include, but not be limited to, the cost for moving equipment in and out, performance and payment bonds, insurance, permits, utility connection cost, and other expenses associated with preparation for construction in accordance with the requirements of the Contract Documents.
- C. This Item is intended to be in accordance with the Supplemental Conditions SC 15.01 A.

1.02 WORK NOT INCLUDED

- A. Any Work specifically included under other Bid Items.

1.03 DEFINITION OF ITEM

- A. Item 1 - Includes Mobilization and Demobilization.

1.04 MEASUREMENT

- A. The lump sum stated in the Bid shall be full compensation for all Work required under Item 1.

1.05 PAYMENT

- A. Payment shall be in accordance with Supplemental Conditions SC 15.01 A. The Engineer may reduce the amount to be paid under Item 1 if the percentage requested is not represented by the actual amount performed.

**ITEM 2
VIDEO RECORDING OF THE ZONE OF INFLUENCE**

2.01 DESCRIPTION

- A. Under this Item, the Contractor shall produce and deliver to the Owner, color audio-video recordings of existing topography within the zone of influence along all sewer routes and audio video recordings of designated buildings and dwellings as specified and directed.

2.02 WORK NOT INCLUDED

Not used.

2.03 DEFINITION OF ITEM

- A. Item 2 - Video Recording of the Zone of Influence.

2.04 MEASUREMENT

- A. The quantities to be paid for under Item 2 shall be a lump sum for video recording of the defined zone of influence along specified routes.

2.05 PAYMENT

- A. The unit price stated in the Bid for Item 2 shall be full compensation for all video recording production.

**ITEM 3
STORM WATER POLLUTION PREVENTION**

3.01 DESCRIPTION

- A. This Item shall include all Work specified in the SWPPP including preparation of a Storm Water Pollution Prevention Plan, installation, maintenance, and removal of all Storm Water Pollution Prevention measures.
- B. This Item includes the installation of curb inlet protection devices, filter fabric fence, concrete washout, construction entrance, and any other material necessary to meet the requirements of the SWPPP set by the Ohio Environmental Protection Agency.
- C. Temporary restoration of surface improvements including seeding, mulching, and fertilizing all disturbed areas shall be included in this item.
- D. The weekly inspection and reporting of all Storm Water Pollution Prevention measures shall be included under this item.
- E. Obtaining permits and co-permittee coverage specified shall be included under this Item.

3.02 WORK NOT INCLUDED

- A. Any work specifically included under other Bid Items.

3.03 DEFINITION OF ITEM

- A. Item 3 - Includes Storm Water Pollution Prevention.

3.04 MEASUREMENT

- A. The quantities to be paid for under Item 3 shall be a lump sum for all storm water pollution prevention measures.

3.05 PAYMENT

- A. The quantities to be paid for under Item 3 shall be lump sum for all storm water pollution prevention measures.
- B. Payment shall be made in the amount of 20% of the lump sum Bid price for Item 3 for the first monthly estimate and 5% for each monthly estimate thereafter until the lump sum Bid amount for Item 3 has been paid.
- C. The Engineer may reduce the amount to be paid under Item 3 if the percentage requested is not represented by the actual amount performed.

**ITEM 4
MAINTENANCE OF TRAFFIC**

4.01 DESCRIPTION

- A. This Item shall include the furnishing and maintaining of measures required to maintain traffic through or around the proposed Work.
- B. This Item shall include detour routes as specified in the Contract Documents.

4.02 WORK NOT INCLUDED

- A. Any work specifically included under other Bid Items.

4.03 DEFINITION OF ITEM

- A. Item 4 - Includes Maintenance of Traffic.

4.04 MEASUREMENT

- A. The quantities to be paid for under Item 4 shall be a lump sum for all maintenance of traffic measures.

4.05 PAYMENT

- A. The unit price stated in the Bid for Item 4 shall be full compensation for the lump sum of maintenance of traffic measures provided.
- B. Payment shall be made in the amount of 30% with the first partial payment after submitting acceptable insurance, traffic control plan, and performing initial project mobilization.
- C. Payment of 10% shall be made upon final completion of the project with final payment.
- D. The remaining 60% of Item 4 shall be prorated with each intermediate partial pay request for the duration of the project per the approved construction schedule.

**ITEM 5
TREE REMOVAL, CLEARING, AND GRUBBING**

5.01 DESCRIPTION

- A. This Item shall include all clearing and grubbing of lands required to complete the Work as specified, shown in the Contract Documents and as directed by the Engineer.
- B. This Work shall include, but not limited to, the complete removal of all vegetation including plants, shrubs, sod, agricultural crop residue, trimming and cutting of trees, removal of tree cuttings and stumps, scalping and the removal and disposal of all debris generated by the clearing and grubbing operation as specified and shown on the Drawings.

5.02 WORK NOT INCLUDED

- A. Any Work specifically included under other Bid Items.

5.03 DEFINITION OF ITEMS

- A. Item 5a - Includes Trees Less Than or Equal To 12 Inches in Diameter.
- B. Item 5b - Includes Trees Greater Than 12 Inches in Diameter.

5.04 MEASUREMENT

- A. The quantities to be paid for under Items 5a and 5b, shall be for each tree removed as specified and shown on the Drawings.

5.05 PAYMENT

- A. The unit prices stated in the Bid shall be full compensation for each tree removed in accordance with Specifications and Drawings.

**ITEMS 6A THROUGH 6F
WATER LINES**

6.01 DESCRIPTION

- A. Under these Items, the Contractor shall furnish and perform all Work necessary for the installation of the water lines as scheduled, shown on the Drawings and specified, in conformance with relevant sections of the Specifications.
- B. These Items shall include all Work to install the waterlines , including but not limited to the following: excavation; pavement and rigid base removal; saw-cutting, concrete drive, curb and walk removal; backfill; compaction; bedding; pipe materials; fittings; maintenance of trenches; temporary pavement; connections to existing water mains; and related Work and materials such as blow offs to perform disinfection, flushing, performing pressure and bacteriological tests as shown on the Drawings and specified in conformance with relevant Sections of the Specifications.
- C. These Items shall also include all Work under the Contract unless specifically included for payment under other Items.
- D. Connections of new water lines to new and existing water lines shall be included under these Items, unless specifically included under other items. Temporary supporting of existing utilities, locating of existing utilities, exploratory excavation and backfill required by the utility owner for existing utilities encountered during construction is included under these Items.
- E. The removal of existing water mains, including existing fittings, valves, backfill, bedding, structures and other associated appurtenances shall be included under these Items. The removals noted are included under this Item incidental to the water line construction.
- F. These Items shall include all water main fittings, accessories and appurtenances not included in other pay items. Fittings, including those not shown on the plans required to avoid existing utilities shall be included under these Items.
- G. All Work necessary to abandon designated existing water lines is included under these Items.

- H. All repairs of existing utilities damaged, as a result of construction, are included under these Items.
- I. Restoration of landscape surface improvements including seeding, mulching, and fertilizing all disturbed lawn areas shall be included under these Items, unless specifically included under other Items.

6.02 WORK NOT INCLUDED

- A. Pavement replacement within the Contract limits is included under other Items.
- B. Valves, inserting valves, valve manhole structures are included under other Items.
- C. Hydrant assemblies including associated 6-inch water main piping are included under other Items.
- D. The abandonment of existing valves and removal of existing fire hydrants are included under other Items.
- E. All Work necessary to reconnect existing water services are included for payment under other Items.

6.03 DEFINITION OF ITEMS

- A. Item 6a - Includes 8-Inch Water Line Type B.
- B. Item 6b - Includes 8-Inch Water Line Type C.
- C. Item 6c - Includes 12-Inch Water Line, Type B.
- D. Item 6d - Includes Connections to Existing Water Mains (3-Inches and Larger).
- E. Item 6e - Includes Existing Water Main Plugged.
- F. Item 6f - Includes Water Main Termination and Abandonment.

6.04 MEASUREMENT

- A. The quantities to be paid for under Items 6a through 6c shall be the horizontal length of pipe measured parallel to the axis of the line along the surface of the ground, with no deduction for laying length of fittings and valves. Vertical portions of the water main shall not be measured for payment.
- B. The quantities to be paid under Item 6d shall be the full compensation for each water Line connection to existing water Line furnished and installed in accordance with the Specifications and Drawings.
- C. The quantities to be paid under Item 6e through 6f shall be full compensation for each water line plugged or terminated and abandoned and installed in accordance with the Specifications and Drawings.

6.05 PAYMENT

- A. The unit price stated in the Bid for Items 6a through 6c shall be full compensation for each linear foot, furnished and installed as specified so measured.

- B. The unit price stated in the Bid for Item 6d through 6f shall be full compensation for each water main connection to existing, plugged, or terminated and abandoned, so measured, as specified and required.

**ITEMS 7A THROUGH 7D
VALVES**

7.01 DESCRIPTION

- A. Under these Items, the Contractor shall furnish and perform all Work necessary for the installation of the valves and accessories as shown on the Drawings and specified in conformance with relevant Sections of the Specifications.
- B. These Items shall include all Work to install or remove the valves, including but not limited to the following: excavation; pavement removal; saw-cutting; concrete drive, curb and walk removal; removal and replacement of fences including fabric and posts; hauling excess spoil material from Site; backfill; compaction; bedding; pipe materials; fittings and pipe connections; construction, maintenance and removal of temporary access to the Work area; and related Work such as performing material testing.
- C. Inserting valves (cutting-in-valves) shall be included under these Items.
- D. The removal of valves on abandoned water mains following the Work shall be included under these Items.

7.02 WORK NOT INCLUDED

- A. Pavement replacement within Contract limits is included for payment under other Items.
- B. 6-Inch gate valves associated with fire hydrant assemblies are included under other Items.

7.03 DEFINITION OF ITEMS

- A. Item 7a - Includes 8-Inch Gate Valve and Box.
- B. Item 7b - Includes 12-Inch Gate Valve and Box.
- C. Item 7c - Includes 12-Inch by 8-Inch Inserting Valve and Box.
- D. Item 7d - Includes Valve Abandoned.

7.04 MEASUREMENT

- A. The quantities to be paid under Items 7a through 7c shall be full compensation for each valve and box or manhole provided in accordance with the Specifications and Drawings.
- B. The quantities to be paid under Item 7d full compensation for each valve abandoned in accordance with the Specifications and Drawings.

7.05 PAYMENT

- A. The unit price stated in the Bid for Items 7a through 7c shall be full compensation for each valve and box or manhole as specified and required.
- B. The unit price stated in the Bid for Item 7d shall be full compensation for each valve abandoned as specified and required.

**ITEMS 8A THROUGH 8C
FIRE HYDRANT ASSEMBLIES**

8.01 DESCRIPTION

- A. Under these Items, the Contractor shall furnish and perform all Work necessary for the installation of the fire hydrant assemblies, shown on the Drawings and specified, in conformance with relevant sections of the Specifications.
- B. These Items shall include all Work to install the fire hydrant assemblies, including but not limited to the following: excavation; pavement removal; saw-cutting; concrete drive, curb and walk removal; removal and replacement of fences including fabric and posts; hauling excess spoil material from Site; backfill; compaction; bedding; pipe materials; fittings; connections to water lines; construction, maintenance and removal of temporary access to the Work area; and related Work such as performing material testing.
- C. The removal and salvaging of existing fire hydrants for the owner shall be included under these Items. Hydrant valves to be removed shall be included under these Items.

8.02 WORK NOT INCLUDED

- A. Pavement replacement within Contract limits is included for payment under other Items.

8.03 DEFINITION OF ITEMS

- A. Item 8a - Hydrant Assembly, Type A.
- B. Item 8b - Hydrant Assembly, Type B.
- C. Item 8c - Hydrant Removed.

8.04 MEASUREMENT

- A. The quantity to be paid under Items shall be the measured quantity of each fire hydrant assembly completed or removed as specified, shown on the Drawings.

8.05 PAYMENT

- A. The unit price stated in the Bid for Items 8a and 8b shall be full compensation for each hydrant assembly as specified and required, so measured.
- B. The unit price stated in the Bid for Item 8c shall be full compensation for each hydrant removed as specified and required, so measured.

**ITEMS 9A THROUGH 9D
WATER SERVICES**

9.01 DESCRIPTION

- A. Under these Items, the Contractor shall furnish and perform all Work necessary for the installation of the water services, shown on the Drawings and specified, in conformance with relevant sections of the Specifications.
- B. These Items shall include all Work to install the water services, including but not limited to the following: excavation; pavement removal; saw-cutting; concrete drive, curb and walk removal; removal and replacement of fences including fabric and posts; hauling excess spoil material from Site; backfill; compaction; bedding; pipe materials; fittings; connections to existing sewers; construction, maintenance and removal of temporary access to the Work area; and related Work such as performing material testing.
- C. The removal of existing water services, including existing fittings, valves, structures and other associated appurtenances shall be included under these Items.
- D. All repair of existing utilities damaged during water service construction is included under these Items.
- E. Connections of new water services to existing water services as shown on the Drawings are included under these Items. This shall include connections of new water services to new water meter pits.
- F. The installation of meter pits shall be included under this Item. Meter pits shall be provided by the Contractor.
- G. Reinstatement of existing water services onto the new water line shall be included under these Items.
- H. Restoration of landscape surface improvements including seeding, mulching, and fertilizing all disturbed lawn areas shall be included under these Items.
- I. These Items shall include all water service fittings, accessories and appurtenances not included in other pay items. Fittings, including those not shown on the plans required to avoid existing utilities shall be included under these Items.
- J. The excavation and backfill of bore and receiving pits for trenchless water service construction is included under these Items.

9.02 WORK NOT INCLUDED

- A. Pavement replacement within Contract limits is included for payment under other Items.
- B. Repairing of water services which were damaged and not planned to be replaced by the Contractor as a result of the construction, will be at the Contractor's expense.

9.03 DEFINITION OF ITEMS

- A. Item 9a - Includes Water Service Connection Reinstated.

- B. Item 9b - Includes Water Service Tubing (2-Inch and Less) - Open Cut.
- C. Item 9c - Includes Water Service Tubing (2-Inch and Less) - Trenchless.
- D. Item 9d - Includes Remove and Replace Meter Pit.

9.04 MEASUREMENT

- A. The quantities to be paid under Item 9a shall be each water service connection furnished and installed in accordance with the Specifications and Drawings.
- B. The quantities to be paid for under Items 9b and 9c shall be the horizontal length of pipe measured parallel to the axis of the line along the surface of the ground, with no deduction for laying length of fittings, meter vaults and valves. Vertical portions of the water service shall not be measured for payment.
- C. The quantities to be paid under Item 9d shall be each Meter Pit removed and replaced in accordance with the Specification and Drawings.

9.05 PAYMENT

- A. The unit price stated in the Bid for Item 9a shall be full compensation for each water service connection, so measured, as specified and required.
- B. The unit price stated in the Bid for Items 9b and 9c shall be full compensation for each linear foot of service tubing, so measured, as specified and required.
- C. The unit price stated in the Bid for Item 9d shall be full compensation for each Meter Pit removed and replace so measured, as specified and required.

**ITEMS 10A THROUGH 10EG
PAVEMENT REPLACEMENT**

10.01 DESCRIPTION

(Addendum 1, Issued October 15, 2024)

- A. Under these Items, the Contractor shall construct pavement base and surface courses to replace pavement removed for pipeline construction as scheduled, shown on the Drawings and specified herein.

10.02 WORK NOT INCLUDED

- A. No additional payment will be made for the following:
 - 1. Replacement of curb and gutters.
 - 2. Aggregate used for adjusting roadway shoulders and driveways to match new roadway surfaces.
 - 3. Excavation of concrete driveways required for transition to new pavement surfaces.
- B. Pavement replacement required beyond specified pay limits for construction of manholes and chambers is included for payment under other Items.

- C. Pavement and curb and gutters damaged or destroyed beyond specified pay limits shall be replaced at the Contractor's expense.
- D. Special backfill provided in areas, as specified under Section 02200.
- E. The construction of temporary haul roads is included under other Items.

10.03 DEFINITION OF ITEMS

- A. Item 10a - Includes ODOT Item 254 Pavement Planing, 1.5-Inch.
- B. ~~Item 10b - Includes ODOT Item 301 Asphalt Concrete Base.~~
- C. Item 10be - Includes ODOT Item 304 Aggregate Base.
- D. Item 10cd - Includes ODOT Item 407 Tack Coat.
- E. ~~Item 10e - Includes 1-¾-Inch ODOT Item 441 Asphalt Concrete Intermediate Course Type H (448).~~
- F. Item 10df - Includes 1-½-Inch ODOT Item 441 Asphalt Concrete Surface Course Type I (448).
- G. Item 10eg - Includes ODOT Item 411 Stabilized Crushed Aggregate (Berm and Drive).

(Addendum 1, Issued October 15, 2024)

10.04 MEASUREMENT

- A. Quantities to be paid for under these Items shall be the actual quantity constructed, measured in place within the limits as defined below, and scheduled on the Drawings, unless otherwise authorized by the Engineer; in which case, measurement will be made to the authorized limits. When uniform courses are specified, the volume to be paid for shall not exceed the quantity calculated from plan lines and dimensions. Bituminous materials will be measured in gallons at 60 degrees F applied at the specified rates and within the pay limits.
- B. Pay Limits:
 - 1. Depth - As specified, scheduled, or directed by the Engineer. To differentiate from special backfill material, Aggregate Base under Item 10b shall only be measured for the thickness shown on the Drawings or directed by the Engineer.
 - 2. Length - The actual length measured.
 - 3. Width:
 - a. Except as otherwise scheduled on the Drawings, the width of replacement over pipe trenches shall not exceed the nominal diameter of the pipe plus 2-1/2 feet on each side for trench depths of 16 feet and less; and 4 feet on each side for trench depths greater than 16 feet. No additional width will be allowed for precast manholes or manhole chamber construction.
 - b. Trench depth as used herein shall mean the distance from the original surface of the pavement to the invert grade of the main line pipe.

10.05 PAYMENT

- A. The unit prices stated in the Bid for Items 10b, 10c, 10e, ~~10f and 10g~~ shall be full compensation for each cubic yard of pavement excavated or placed within the prescribed limits as specified, so measured. **(Addendum 1, Issued October 15, 2024)**
- B. The unit prices stated in the Bid for Item 10d shall be full compensation for each gallon of material placed within the prescribed limits as specified, so measured.
- C. The unit prices stated in the Bid for Item 10a shall be full compensation for each square yard of pavement paving within the prescribed limits as specified, so measured.

**ITEMS 11A THROUGH 11D
CONCRETE DRIVES AND SIDEWALK REPLACEMENT**

11.01 DESCRIPTION

- A. Under these Items, the Contractor shall construct concrete drives and sidewalks as scheduled, shown on the Drawings required and specified herein.

11.02 WORK NOT INCLUDED

- A. Pavement replacement required beyond specified pay limits.
- B. The replacement of curb is included under other Items.
- C. The replacement of aggregate base, non-rigid pavement base, intermediate and surface courses is included under other Items.
- D. Subgrade Compaction is included under other Items.

11.03 DEFINITION OF ITEMS

- A. Item 11a - Includes ODOT 452 Non-Reinforced Concrete Pavement, Class MS (Driveway).
- B. Item 11b - Includes 4-Inch Concrete Walk.
- C. Item 11c - Includes 6-Inch Concrete Walk.
- D. Item 11d - Includes Detectable Warning Surface (ADA Compliant Truncated Domes).

11.04 MEASUREMENT

- A. The quantities to be paid for under these Items shall be the actual quantity constructed, measured in place within the limits as defined below, and/or scheduled on the Drawings, unless otherwise authorized by the Engineer; in which case, measurement will be made to the authorized limits. When uniform courses are specified, the volume to be paid for shall not exceed the quantity calculated from plan lines and dimensions.
- B. Pay Limits:
 - 1. Depth - As specified, scheduled, or ordered. Trench depth as used herein shall mean the distance from the original surface of the pavement to the invert grade of the main line pipe.

2. Length - The actual length ordered.
 3. Width - Except as otherwise scheduled on the Drawings, the width of replacement over pipe trenches shall not exceed the nominal diameter of the pipe plus 2-1/2 feet on each side for trench depths 16 feet and less and 4 feet on each side for trench depths greater than 16 feet. No additional width will be allowed for precast manholes or manhole chamber construction.
- C. The quantity for concrete sidewalks shall be measured through detectable warning as 4-inch sidewalk. Item 11d shall include the additional sidewalk depth required and placement of the truncated domes.

11.05 PAYMENT

- A. The unit prices stated in the Bid for Items 11a through 11c shall be full compensation for each square foot of rigid pavement placed within the prescribed limits as specified, so measured.
- B. The unit prices stated in the Bid for Item 11d shall be full compensation for detectable warning surface installed within prescribed units as specified, so measured.

**ITEMS 12A AND 12B
REPLACEMENT OF CONCRETE CURBS**

12.01 DESCRIPTION

- A. Under these Items, the Contractor shall remove and replace concrete curbs to replace those damaged by construction and additional areas as shown on the Drawings and specified.

12.02 WORK NOT INCLUDED

- A. Curb damage or destroyed beyond the specified limits shall be replaced at the Contractor's expense.
- B. All pavement, driveways and sidewalks made of rigid or non-rigid pavement or aggregate shall be included under other Items.

12.03 DEFINITION OF ITEMS

- A. Item 12a - Includes Concrete Curb Removal.
- B. Item 12b - Includes Concrete Curb, Type 6.

12.04 MEASUREMENT

- A. The quantities to be paid under Items 12a and 12b shall be the length measured along the front of the curb removed and replaced as ordered. Where the pipeline crosses the curb, the pay limits shall be 5-feet plus the nominal diameter of the pipe.

12.05 PAYMENT

- A. The unit prices stated in the Bid for Items 12a and 12b shall be full compensation for each linear foot of curb removed and replaced, so measured, as specified and required.

**ITEM 13
TOPSOIL, SEEDING, AND MULCHING**

13.01 DESCRIPTION

- A. Under this Item, the Contractor shall furnish and install the valves and accessories in conformance with relevant Sections of the Specifications and as shown on the Drawings. This item shall include all work specified to prepare and place the topsoil and placing of sod or seed and mulch to permanently stabilize disturbed areas as shown on the drawings and specified in conformance with relevant sections of specifications.
- B. Restoration of landscape surface improvements including seeding, mulching, and fertilizing all disturbed lawn areas shall be under this Item.
- C. Watering in accordance with ODOT 659.17 is included in this Item.

13.02 DEFINITION OF ITEM

- A. Item 13 - Includes Topsoil, Seeding, and Mulching.

13.03 MEASUREMENT

- A. The quantities to be paid for under Item 13 shall be for each square yard of seeding and mulching, so measured, as specified, and required.

13.04 PAYMENT

- A. The unit price stated in the Bid for Item 13 shall be full compensation for each square yard of seeding, and mulching as specified and required.

**ITEMS 14A AND 14B
ASPHALT TRENCH REPAIR**

14.01 DESCRIPTION

- A. Under these Items, the Contractor shall construct pavement base and surface courses to replace pavement removed for pipeline construction as scheduled, shown on the Drawings, and specified herein.
- B. The preparation of the subgrade material prior to the placement of roadway base is included in these Items.
- C. The construction of aggregate base, pavement base, and flexible and rigid pavement courses as scheduled, shown on the Drawings and specified herein are included in these Items. The proper compaction, including testing to confirm acceptable construction, shall be included in these Items.

- D. Bonding coats, such as prime and tack coats, shall be included under these Items.
- E. These Items include saw cutting existing pavement courses as required and sealing joints as specified or shown on the Drawings.
- F. Disposal of roadway excavation is included under these Items.

14.02 WORK NOT INCLUDED

- A. Pavement and curb and gutters damaged or destroyed beyond specified pay limits shall be replaced at the Contractor's expense.
- B. Special backfill provided in areas, as specified under Section 02200.
- C. The construction of temporary haul roads is included under other Items.
- D. Full-width pavement milling and re-surfacing of the alley is included under other Items.

14.03 DEFINITION OF ITEMS

- A. Item 14a - Includes Asphalt Trench Repair – Local Street.
- B. Item 14b - Includes Asphalt Trench Repair – South Main Street.

14.04 MEASUREMENT AND PAYMENT

- A. The quantities to be paid for under these Items shall be the actual quantity constructed, measured in place within the limits as defined below, and/or scheduled on the Drawings, unless otherwise authorized by the Engineer; in which case, measurement will be made to the authorized limits. When uniform courses are specified, the volume to be paid for shall not exceed the quantity calculated from plan lines and dimensions.
- B. Pay Limits:
 - 1. Depth - As specified, scheduled, or ordered. Trench depth as used herein shall mean the distance from the original surface of the pavement to the invert grade of the main line pipe.
 - 2. Length - The actual length ordered.
 - 3. Width - Except as otherwise scheduled on the Drawings, the width of replacement over pipe trenches shall not exceed the nominal diameter of the pipe plus 2-1/2 feet on each side for trench depths 8 feet and less and 4 feet on each side for trench depths greater than 8 feet. No additional width will be allowed for precast manholes or manhole chamber construction.
 - 4. The unit price stated in the Bid for Items 14a and 14b shall be full compensation for each square yard of asphalt trench repair installed in accordance with the Specifications and Drawings, so measured.

(Addendum 1, Issued October 15, 2024)

END OF SECTION

This page was intentionally left blank.

EXISTING SYMBOLS AND ABBREVIATIONS

	AERIAL CONTROL POINT		PETROLEUM PUMP
	AERIAL WING POINT		POST
	AIR CONDITIONING UNIT		POWER LINE MARKER
	AXLE		POWER POLE
	BARBECUE GRILL		POWER POLE AND TELEPHONE POLE
	BENCHMARK		RAIL ROAD CROSSING SIGNAL
	BOLLARD		RAIL ROAD GATE
	BOLT		RAIL ROAD FROG
	CABLE TV		RAIL ROAD MILE POST
	CATCH BASIN		RAIL ROAD SPIKE
	CLEAN OUT		RAIL ROAD SPIKE SET
	CONCRETE MONUMENT		SANITARY MANHOLE
	CONIFEROUS TREE		SANITARY VALVE
	CONTROL POINT		SANITARY VENT
	CONTROLLER POLE MOUNTED		SANITARY MARKER
	CURB INLET		SATELLITE DISH
	DECIDUOUS TREE		SEPTIC TANK
	DECORATIVE ROCK		SHRUB
	DRAIN TILE		SIGN
	DRILL HOLE		SIGNAL
	DRY WELL		SOIL BORING
	EDGE OF PAVEMENT		SPIGOT
	ELECTRIC MANHOLE		SPRINKLER HEAD
	ELECTRIC METER		SPOT ELEVATION *POINT OF ELEVATION IS DECIMAL
	ELECTRIC PULLBOX		STORM LINE MARKER
	ELECTRIC TRANSFORMER		STORM MANHOLE
	ELECTRIC VAULT		STUMP
	EXISTING BUILDING		SUPPORT POLE
	FIRE HYDRANT OR YARD HYDRANT		T-BAR
	FLAG POLE		TACKED HUB
	FORCE MAIN FLUSHING CONNECTION		TANK FILLER CAP
	FOUND MONUMENT BOX		TC - TOP OF CURB ELEVATION
	GAS LINE MARKER		G - GUTTER ELEVATION
	GAS LINE VENT		TELEPHONE BOOTH
	GAS MANHOLE		TELEPHONE LINE MARKER
	GAS METER		TELEPHONE MANHOLE
	GAS TEST STATION		TELEPHONE PEDESTAL
	GAS VALVE		TELEPHONE POLE
	GAS WELL		TELEPHONE POLE AND LIGHT POLE
	GOLF BALL WASHER		TOP OF WALK
	GUY WIRE		TOPO GRADE SHOT (THE OF THE NUMBER SIGNIFIES THE LOCATION OF THE SHOT)
	HEAD STONE		TOWER
	INLET PROTECTION		TPB
	INVERT ELEVATION		TRAFFIC MANHOLE
	IRON PIN (OR LABELED POST, MARKER, ETC.)		TRAFFIC PULL BOX
	LIGHT, POWER POLE AND TELEPHONE POLE		UNKNOWN BOX
	LIGHT POLE		UNKNOWN MANHOLE
	LIGHT POLE BOX		UNKNOWN PEDESTAL
	MAILBOX		UNKNOWN POLE
	METER PIT		UNKNOWN VALVE
	MINE SPIKE		UNKNOWN WELL
	MONITORING WELL		VAULT
	NEWS PAPER BOX		VENT PIPE
	OIL TANK		WATER LINE MARKER
	PARKING METER		WATER MANHOLE
	PAVEMENT BORING		WATER MAIN PLUG
	PAY PHONE		WATER METER
			WATER METER PIT
			WATER WELL
			WATER VALVE
			WATER VENT
			YARD LIGHT

PROPOSED SYMBOLS

	ABANDON VALVE BOX		PLUG VALVE AND BOX
	ABANDON VALVE MANHOLE		PLUG VALVE AND MANHOLE
	AIR RELEASE VALVE AND MANHOLE		POLE TO BE TEMPORARILY SUPPORTED AND PROTECTED BY CONTRACTOR
	BUTTERFLY VALVE AND BOX		REDUCER
	BUTTERFLY VALVE AND MANHOLE		SANITARY MANHOLE
	CATCH BASIN		STORM MANHOLE
	CLEAN OUT		STUMP TO BE REMOVED
	CURB INLET		TAPPING SLEEVE VALVE AND BOX
	FIRE HYDRANT ASSEMBLY, TYPE A		TAPPING SLEEVE VALVE AND MANHOLE
	FIRE HYDRANT ASSEMBLY, TYPE B		TREE TO BE REMOVED
	FIRE HYDRANT TO BE REMOVED		
	FORCE MAIN FLUSHING CONNECTION		
	GATE VALVE AND BOX		
	GATE VALVE AND MANHOLE		
	INSERTING VALVE AND MANHOLE		
	METER PIT		

TOPOGRAPHY LINES:

	CENTER LINE
	FENCE LINE
	PROPERTY LINE
	RIGHT OF WAY
	PERMANENT EASEMENT
	CONSTRUCTION EASEMENT
	SILT FENCE

UTILITY LINES:

	CABLE (UNDERGROUND)*
	COMBINED SEWER
	ELECTRICAL (UNDERGROUND)*
	FIBER OPTIC
	GAS LINE
	OVER-HEAD WIRES
	PETROLEUM, OIL, LUBRICANTS
	SANITARY SEWER
	SIGNAL (UNDERGROUND)*
	STORM SEWER
	TELEPHONE (UNDERGROUND)*
	WATER LINE
	LARGE DIAMETER LINES (ANY TYPE)
	UTILITY LINE TO BE REMOVED ***
	UTILITY LINE TO BE ABANDONED
	PROPOSED UTILITY
	PROPOSED LARGE DIAMETER UTILITY
	PROPOSED TRENCHLESS UTILITY

* AERIAL LINES, IF SHOWN, ARE DESIGNATED WITH LOWER CASE LETTERS
 ** FOR ELLIPTICAL SEWERS, THE VERTICAL DIMENSION (RISE) IS CALLED OUT FIRST FOLLOWED BY THE HORIZONTAL DIMENSION (SPAN). EXAMPLE: 45X35 (RISE X SPAN) THE VERTICAL DIMENSION IS 45", THE HORIZONTAL DIMENSION IS 35".
 *** INDICATES THE REMOVAL OF ALL SPECIFIED STRUCTURES AND APPURTENANCES.

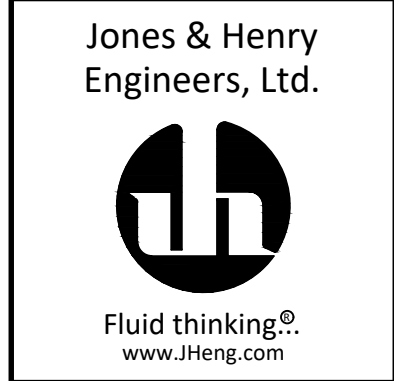
DRAWING INDEX

CONST. NO.	SHEET NUMBER	DESCRIPTION
GENERAL		
0	--	COVER
1	G-0.1	LEGENDS AND INDEX
2	G-0.2	SURVEY CONTROL
3	G-0.3	GENERAL SUMMARY OPEN CUT
3A	G-0.3A	GENERAL SUMMARY TRENCHLESS
4	G-0.4	EXISTING STRUCTURE DATA
WATER		
5	W-0.1	WATER DETAILS
6	W-0.2	WATER DETAILS
7	W-1.1	SOUTH MAIN STREET WATER PLAN AND PROFILE 0+00 TO 5+50
8	W-1.2	SOUTH MAIN STREET WATER PLAN AND PROFILE 5+50 TO 10+00
9	W-2.1	EASEMENT-ALLEY WATER PLAN AND PROFILE 0+00 TO 5+50
10	W-2.2	EASEMENT-ALLEY WATER PLAN AND PROFILE 5+50 TO 11+00
SURFACE RESTORATION		
11	SR-0.1	SURFACE RESTORATION DETAILS
12	SR-1.1-2	SOUTH MAIN ST. OPEN CUT SURFACE RESTORATION PLANS 0+00 TO 10+00
12A	SR-1.1-2A	SOUTH MAIN ST TRENCHLESS SURFACE RESTORATION PLANS 0+00 TO 10+00
13	SR-2.1-2	EASEMENT-ALLEY OPEN CUT SURFACE RESTORATION PLANS 0+00 TO 11+00
13A	SR-2.1-2A	EASEMENT-ALLEY TRENCHLESS SURFACE RESTORATION PLAN 0+00 TO 11+00



LEGENDS AND INDEX
VILLAGE OF WEST UNITY, OHIO SOUTH MAIN STREET WATER LINE REPLACEMENT

JOB NO. 982-8048.001
SCALE NONE
DESIGNED KMB
DRAWN CAL
CHECKED TMB
STATUS: ISSUED FOR BID
DATE: SEPTEMBER 2024
SHEET NO. G-0.1
1 OF 13



Jones & Henry Engineers, Ltd.
Fluid thinking®
www.JHeng.com

NOTE: ACCURACY OF EXISTING ELEVATIONS AND DIMENSIONS IS NOT GUARANTEED. FIELD VERIFY BEFORE CONSTRUCTION.

GENERAL SUMMARY


Item No.	Plan Quantity	Contingency Quantity	Grand Total	Unit	Description	W-1.1	W-1.2	W-2.1	W-2.2	SR-1.1-2	SR-2.1-2
1	1		1	LS	Mobilization and Demobilization						
2	1		1	LS	Video Recording Zone of Influence						
3	1		1	LS	Storm Water Pollution Prevention Plan						
4	1		1	LS	Maintenance of Traffic						
5a	12		12	EA	Tree Removal Less than or equal to 12 Inches	4	4	4			
5b	7		7	EA	Tree Removal Greater than 12 Inches	1	1	5			
6a	524		524	LF	8-Inch Water Line, Type B	72	84	26	342		
6b	738		738	LF	8-Inch Water Line, Type C	335	193	183	27		
6c	9		9	LF	12-Inch Water Line, Type B	9					
6d	2		2	EA	Connection to Existing Watermain	1		1			
6e	1		1	EA	Existing Water Main Plugged	1					
6f	3		3	EA	Water Main Termination and Abandonment			2	1		
7a	3		3	EA	8-Inch Gate Valve and Box		2		1		
7b	1		1	EA	12-Inch Gate Valve and Box	1					
7c	1		1	EA	12-Inch x 8-Inch Tapping Sleeve, Valve and Box				1		
7d	5		5	EA	Valve Abandoned	1		1	3		
8a	1		1	EA	Fire Hydrant Assembly, Type A				1		
8b	2		2	EA	Fire Hydrant Assembly, Type B	2					
8c	2		2	EA	Fire Hydrant Removed	1			1		
9a	23		23	EA	Water Service Connection Reinstated (2-Inch or less)	7	1	8	7		
9b	632	63	695	LF	Water Service Tubing Open Cut (2-Inch and Less)	30		405	197		
9c	250	25	275	LF	Water Service Tubing Trenchless (2-Inch and Less)	200	50				
9d	1		1	EA	Remove and Replace Meter Pit				1		
10a		320	320	SY	ODOT Item 254 Pavement Planing, 1.5"						319
10b	81	10	91	CY	ODOT Item 304 Aggregate Base					58	23
10c		53	53	GAL	ODOT Item 407 Tack Coat						51
10d		16	16	CY	1 1/2-Inch ODOT Item 441 Asphalt Concrete Surface Course Type I (448)						14
10e	19	2	21	CY	ODOT Item 411 Stabilized Crushed Aggregate (Berm and Drive)					4	15
11a	91		91	SY	6-Inch ODOT Item 452 Non-Reinforced Concrete Pavement, Class MS (Driveway)					83	8
11b	3415		3415	SF	4-Inch Concrete Sidewalk					2860	555
11c	260		260	SF	6-Inch Concrete Sidewalk					260	
11d	1		1	EA	6-Inch Concrete Sidewalk and Curb Ramp With Detectable Warning Surface					1	
12a	100		100	LF	Concrete Curb Removal					100	
12b	100		100	LF	Concrete Curb, Type 6					100	
13	1392		1392	SY	Topsoil, Seeding, and Mulching	464	271	570	87		
14a	291		291	SY	Asphalt Trench Repair - Local Street						291
14b	245		245	SY	Asphalt Trench Repair - S Main Street					245	



GENERAL SUMMARY OPEN CUT
 VILLAGE OF WEST UNITY, OHIO SOUTH MAIN STREET WATER LINE REPLACEMENT

NO. 1
 DATE
 REVISIONS AFTER ISSUED FOR BID
 1
 2
 3
 4
 5
 6
 7
 8
 9
 10
 11
 12
 13
 14
 15
 16
 17
 18
 19
 20
 21
 22
 23
 24
 25
 26
 27
 28
 29
 30
 31
 32
 33
 34
 35
 36
 37
 38
 39
 40
 41
 42
 43
 44
 45
 46
 47
 48
 49
 50
 51
 52
 53
 54
 55
 56
 57
 58
 59
 60
 61
 62
 63
 64
 65
 66
 67
 68
 69
 70
 71
 72
 73
 74
 75
 76
 77
 78
 79
 80
 81
 82
 83
 84
 85
 86
 87
 88
 89
 90
 91
 92
 93
 94
 95
 96
 97
 98
 99
 100
 101
 102
 103
 104
 105
 106
 107
 108
 109
 110
 111
 112
 113
 114
 115
 116
 117
 118
 119
 120
 121
 122
 123
 124
 125
 126
 127
 128
 129
 130
 131
 132
 133
 134
 135
 136
 137
 138
 139
 140
 141
 142
 143
 144
 145
 146
 147
 148
 149
 150
 151
 152
 153
 154
 155
 156
 157
 158
 159
 160
 161
 162
 163
 164
 165
 166
 167
 168
 169
 170
 171
 172
 173
 174
 175
 176
 177
 178
 179
 180
 181
 182
 183
 184
 185
 186
 187
 188
 189
 190
 191
 192
 193
 194
 195
 196
 197
 198
 199
 200
 201
 202
 203
 204
 205
 206
 207
 208
 209
 210
 211
 212
 213
 214
 215
 216
 217
 218
 219
 220
 221
 222
 223
 224
 225
 226
 227
 228
 229
 230
 231
 232
 233
 234
 235
 236
 237
 238
 239
 240
 241
 242
 243
 244
 245
 246
 247
 248
 249
 250
 251
 252
 253
 254
 255
 256
 257
 258
 259
 260
 261
 262
 263
 264
 265
 266
 267
 268
 269
 270
 271
 272
 273
 274
 275
 276
 277
 278
 279
 280
 281
 282
 283
 284
 285
 286
 287
 288
 289
 290
 291
 292
 293
 294
 295
 296
 297
 298
 299
 300
 301
 302
 303
 304
 305
 306
 307
 308
 309
 310
 311
 312
 313
 314
 315
 316
 317
 318
 319
 320
 321
 322
 323
 324
 325
 326
 327
 328
 329
 330
 331
 332
 333
 334
 335
 336
 337
 338
 339
 340
 341
 342
 343
 344
 345
 346
 347
 348
 349
 350
 351
 352
 353
 354
 355
 356
 357
 358
 359
 360
 361
 362
 363
 364
 365
 366
 367
 368
 369
 370
 371
 372
 373
 374
 375
 376
 377
 378
 379
 380
 381
 382
 383
 384
 385
 386
 387
 388
 389
 390
 391
 392
 393
 394
 395
 396
 397
 398
 399
 400
 401
 402
 403
 404
 405
 406
 407
 408
 409
 410
 411
 412
 413
 414
 415
 416
 417
 418
 419
 420
 421
 422
 423
 424
 425
 426
 427
 428
 429
 430
 431
 432
 433
 434
 435
 436
 437
 438
 439
 440
 441
 442
 443
 444
 445
 446
 447
 448
 449
 450
 451
 452
 453
 454
 455
 456
 457
 458
 459
 460
 461
 462
 463
 464
 465
 466
 467
 468
 469
 470
 471
 472
 473
 474
 475
 476
 477
 478
 479
 480
 481
 482
 483
 484
 485
 486
 487
 488
 489
 490
 491
 492
 493
 494
 495
 496
 497
 498
 499
 500
 501
 502
 503
 504
 505
 506
 507
 508
 509
 510
 511
 512
 513
 514
 515
 516
 517
 518
 519
 520
 521
 522
 523
 524
 525
 526
 527
 528
 529
 530
 531
 532
 533
 534
 535
 536
 537
 538
 539
 540
 541
 542
 543
 544
 545
 546
 547
 548
 549
 550
 551
 552
 553
 554
 555
 556
 557
 558
 559
 560
 561
 562
 563
 564
 565
 566
 567
 568
 569
 570
 571
 572
 573
 574
 575
 576
 577
 578
 579
 580
 581
 582
 583
 584
 585
 586
 587
 588
 589
 590
 591
 592
 593
 594
 595
 596
 597
 598
 599
 600
 601
 602
 603
 604
 605
 606
 607
 608
 609
 610
 611
 612
 613
 614
 615
 616
 617
 618
 619
 620
 621
 622
 623
 624
 625
 626
 627
 628
 629
 630
 631
 632
 633
 634
 635
 636
 637
 638
 639
 640
 641
 642
 643
 644
 645
 646
 647
 648
 649
 650
 651
 652
 653
 654
 655
 656
 657
 658
 659
 660
 661
 662
 663
 664
 665
 666
 667
 668
 669
 670
 671
 672
 673
 674
 675
 676
 677
 678
 679
 680
 681
 682
 683
 684
 685
 686
 687
 688
 689
 690
 691
 692
 693
 694
 695
 696
 697
 698
 699
 700
 701
 702
 703
 704
 705
 706
 707
 708
 709
 710
 711
 712
 713
 714
 715
 716
 717
 718
 719
 720
 721
 722
 723
 724
 725
 726
 727
 728
 729
 730
 731
 732
 733
 734
 735
 736
 737
 738
 739
 740
 741
 742
 743
 744
 745
 746
 747
 748
 749
 750
 751
 752
 753
 754
 755
 756
 757
 758
 759
 760
 761
 762
 763
 764
 765
 766
 767
 768
 769
 770
 771
 772
 773
 774
 775
 776
 777
 778
 779
 780
 781
 782
 783
 784
 785
 786
 787
 788
 789
 790
 791
 792
 793
 794
 795
 796
 797
 798
 799
 800
 801
 802
 803
 804
 805
 806
 807
 808
 809
 810
 811
 812
 813
 814
 815
 816
 817
 818
 819
 820
 821
 822
 823
 824
 825
 826
 827
 828
 829
 830
 831
 832
 833
 834
 835
 836
 837
 838
 839
 840
 841
 842
 843
 844
 845
 846
 847
 848
 849
 850
 851
 852
 853
 854
 855
 856
 857
 858
 859
 860
 861
 862
 863
 864
 865
 866
 867
 868
 869
 870
 871
 872
 873
 874
 875
 876
 877
 878
 879
 880
 881
 882
 883
 884
 885
 886
 887
 888
 889
 890
 891
 892
 893
 894
 895
 896
 897
 898
 899
 900
 901
 902
 903
 904
 905
 906
 907
 908
 909
 910
 911
 912
 913
 914
 915
 916
 917
 918
 919
 920
 921
 922
 923
 924
 925
 926
 927
 928
 929
 930
 931
 932
 933
 934
 935
 936
 937
 938
 939
 940
 941
 942
 943
 944
 945
 946
 947
 948
 949
 950
 951
 952
 953
 954
 955
 956
 957
 958
 959
 960
 961
 962
 963
 964
 965
 966
 967
 968
 969
 970
 971
 972
 973
 974
 975
 976
 977
 978
 979
 980
 981
 982
 983
 984
 985
 986
 987
 988
 989
 990
 991
 992
 993
 994
 995
 996
 997
 998
 999
 1000

TOL-80480100-GENERAL SUMMARY OPEN CUT
 10/11/2024 3:38 PM - JHARRISON
 10/11/2024 3:36 PM



**Jones & Henry
Engineers, Ltd.**

Fluid thinking®
www.JHeng.com

JOB NO. 982-8048.001

SCALE NO SCALE

THIS LINE SCALES IF WHEN PLOTTED TO NOTED SCALE

DESIGNED KMB	DRAWN CAL	CHECKED TMB
-----------------	--------------	----------------

STATUS: ISSUED FOR BID
DATE: SEPTEMBER 2024

SHEET NO.
G-0.3
3 OF 13

GENERAL SUMMARY

Item No.	Plan Quantity	Contingency Quantity	Grand Total	Unit	Description	W-1.1	W-1.2	W-2.1	W-2.2	SR-1.1-2A	SR-2.1-2A
1	1		1	LS	Mobilization and Demobilization						
2	1		1	LS	Video Recording Zone of Influence						
3	1		1	LS	Storm Water Pollution Prevention Plan						
4	1		1	LS	Maintenance of Traffic						
5a	4		4	EA	Tree Removal Less than or equal to 12 Inches			4			
5b	5		5	EA	Tree Removal Greater than 12 Inches	1		4			
6a	524		524	LF	8-Inch Water Line, Type B	72	84	26	342		
6b	738		738	LF	8-Inch Water Line, Type C	335	193	183	27		
6c	9		9	LF	12-Inch Water Line, Type B	9					
6d	2		2	EA	Connection to Existing Watermain	1		1			
6e	1		1	EA	Existing Water Main Plugged	1					
6f	3		3	EA	Water Main Termination and Abandonment			2	1		
7a	3		3	EA	8-Inch Gate Valve and Box		2		1		
7b	1		1	EA	12-Inch Gate Valve and Box	1					
7c	1		1	EA	12-Inch x 8-Inch Tapping Sleeve, Valve and Box				1		
7d	5		5	EA	Valve Abandoned	1		1	3		
8a	1		1	EA	Fire Hydrant Assembly, Type A				1		
8b	2		2	EA	Fire Hydrant Assembly, Type B	2					
8c	2		2	EA	Fire Hydrant Removed	1			1		
9a	23		23	EA	Water Service Connection Reinstated (2-Inch or less)	7	1	8	7		
9b	632	63	695	LF	Water Service Tubing Open Cut (2-Inch and Less)	30		405	197		
9c	250	25	275	LF	Water Service Tubing Trenchless (2-Inch and Less)	200	50				
9d	1		1	EA	Remove and Replace Meter Pit				1		
10a		320	320	SY	ODOT Item 254 Pavement Planing, 1.5"						319
10b	35	10	45	CY	ODOT Item 304 Aggregate Base					12	23
10c		53	53	GAL	ODOT Item 407 Tack Coat						51
10d		16	16	CY	1 1/2-Inch ODOT Item 441 Asphalt Concrete Surface Course Type I (448)						14
10e	15	2	17	CY	ODOT Item 411 Stabilized Crushed Aggregate (Berm and Drive)						15
11a	49		49	SY	6-Inch ODOT Item 452 Non-Reinforced Concrete Pavement, Class MS (Driveway)					41	8
11b	931		931	SF	4-Inch Concrete Sidewalk					376	555
11c				SF	6-Inch Concrete Sidewalk						
11d				EA	6-Inch Concrete Sidewalk and Curb Ramp With Detectable Warning Surface						
12a	28		28	LF	Concrete Curb Removal					28	
12b	28		28	LF	Concrete Curb, Type 6					28	
13	1392		1392	SY	Topsoil, Seeding, and Mulching	464	271	570	87		
14a	89		89	SY	Asphalt Trench Repair - Local Street						89
14b	69		69	SY	Asphalt Trench Repair - S Main Street					69	



GENERAL SUMMARY TRENCHLESS
 VILLAGE OF WEST UNITY, OHIO SOUTH MAIN STREET WATER LINE REPLACEMENT

NO. 1
 DATE
 REVISIONS AFTER ISSUED FOR BID
 1
 2
 3
 4
 5
 KMB BY

TOL-804800100-GENERAL SUMMARY TRENCHLESS
 10/11/2024 3:30 PM - JHARRISON
 10/11/2024 3:30 PM

Jones & Henry Engineers, Ltd.

 Fluid thinking®
 www.JHeng.com

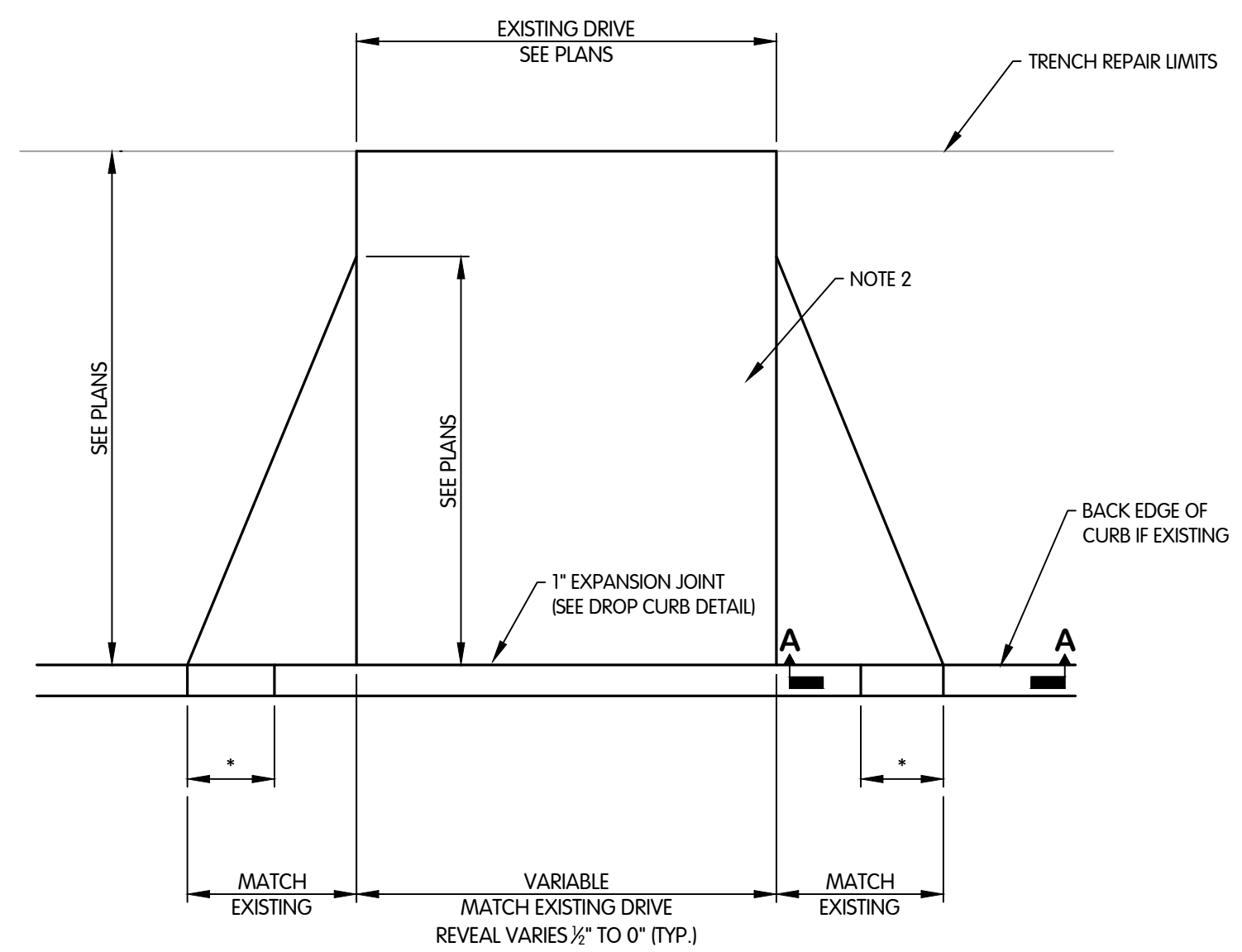
JOB NO. 982-8048.001
 SCALE NO SCALE
THIS LINE SCALES IF WHEN PLOTTED TO NOTED SCALE

DESIGNED	DRAWN	CHECKED
KMB	JAH	TMB

STATUS: ISSUED FOR BID
 DATE: SEPTEMBER 2024
 SHEET NO.
G-0.3A
 3A OF 13



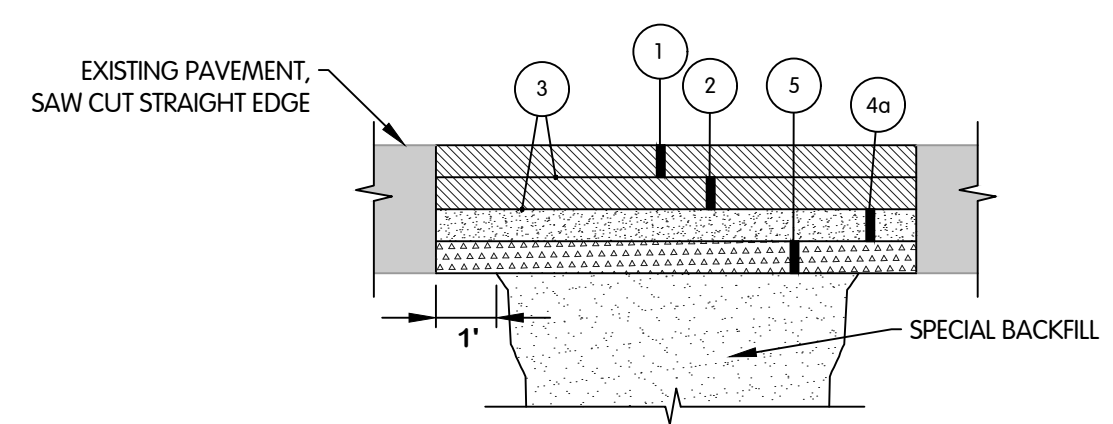
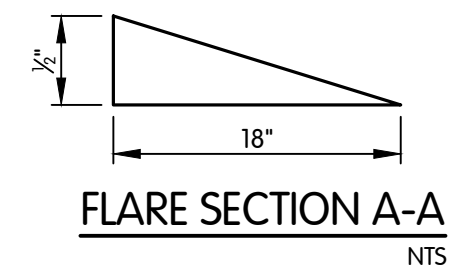
SURFACE RESTORATION DETAILS
VILLAGE OF WEST UNITY, OHIO SOUTH MAIN STREET WATER LINE REPLACEMENT



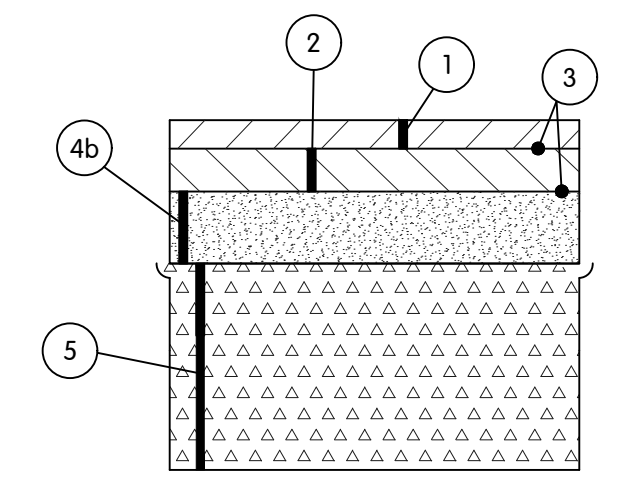
- * THE TRANSITION FROM STANDARD VERTICAL CURB SECTION TO DROP CURB SECTION IS TO BE WITHIN 18" OF DRIVEWAY. NO DROP IS REQUIRED WITH ROLL CURB.
- NOTES:
- ALL DRIVES SHALL BE PLACED ON 6" ODOT ITEM 304.
 - RESIDENTIAL CONCRETE DRIVEWAY AND APPROACH SHALL BE 6" ODOT ITEM 452 AND ASPHALT DRIVEWAYS SHALL MATCH EXISTING THICKNESS WITH MINIMUM THICKNESS TO BE 1 1/2" ODOT ITEM 441 SURFACE COURSE TYPE 1 (448), 1 1/2" ODOT ITEM 441 INTERMEDIATE COURSE TYPE 2 (448).
 - COMMERCIAL CONCRETE DRIVEWAY SHALL BE 8" ODOT ITEM 452 ON 6" ODOT ITEM 304 AGGREGATE BASE.

DRIVEWAY APPROACH DETAIL
NTS

DRIVEWAY TABLE			
DRIVEWAY #	± STA.	WIDTH AT EDGE OF PAVEMENT	WIDTH AT RIGHT-OF-WAY
102	2+99	39.27'	32.98'
103	4+98	16.37'	12.72'
104	6+92	27.07'	18.48'

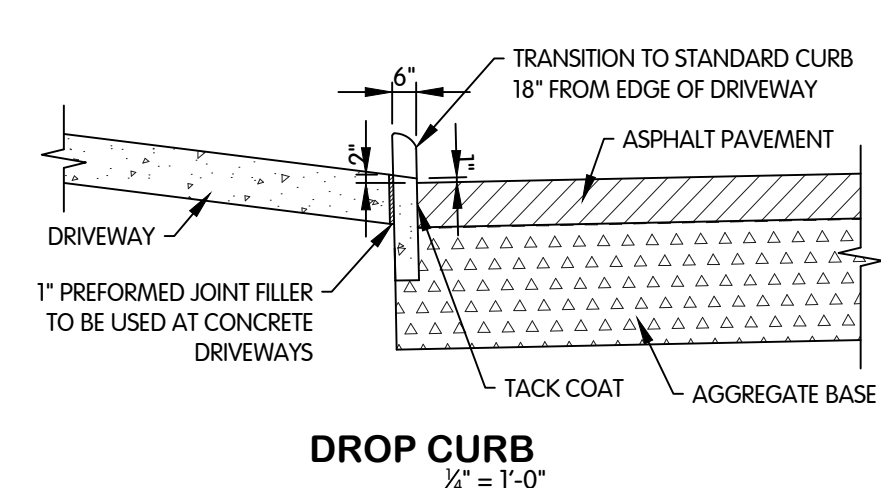
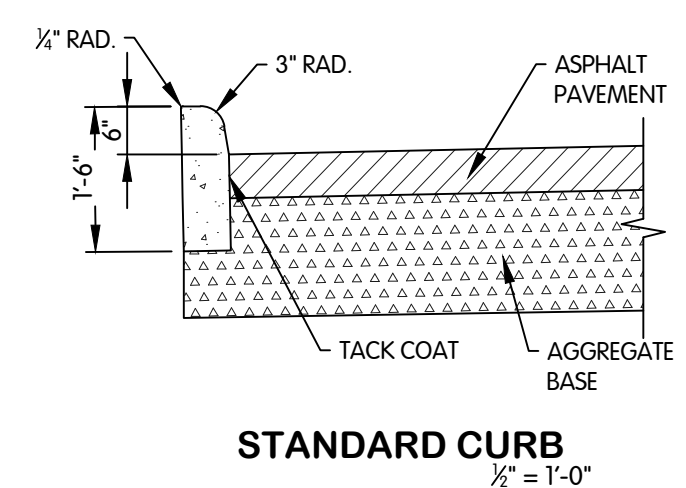
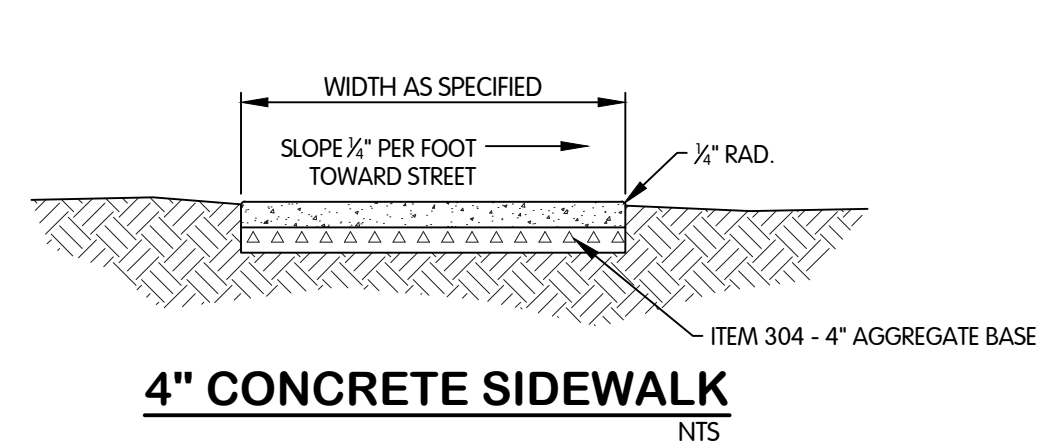


TRENCH PAVEMENT SECTION (LOCAL STREET)
NTS



SOUTH MAIN STREET PAVEMENT SECTION
NTS

- ① 1 1/2" ITEM 441 ASPHALT CONCRETE SURFACE COURSE, TYPE 1 (448).
- ② 1 1/2" ITEM 441 ASPHALT CONCRETE INTERMEDIATE COURSE, TYPE 2 (448)
- ③ ITEM 407 TACK COAT - 0.050 GAL/SY.
- ④a ITEM 301 ASPHALT CONCRETE BASE (3")
- ④b ITEM 301 ASPHALT CONCRETE BASE (6")
- ⑤ ITEM 304 - AGGREGATE BASE (8")



SURFACE RESTORATION LEGEND

	ASPHALT PAVEMENT		AGGREGATE BASE
	MILL AND RESURFACE		CONCRETE DRIVEWAY
	GRAVEL DRIVEWAY		CONCRETE SIDEWALK

TOL-804801SR01-SR-0.1 SURFACE RESTORATION DETAILS
10/15/2024 1:34 PM - JHARRISON
10/15/2024 1:35 PM

Jones & Henry Engineers, Ltd.

Fluid thinking®
www.JHeng.com

JOB NO. 982-8048.001

SCALE AS NOTED

DESIGNED: KMB DRAWN: CAL CHECKED: TMB

STATUS: ISSUED FOR BID

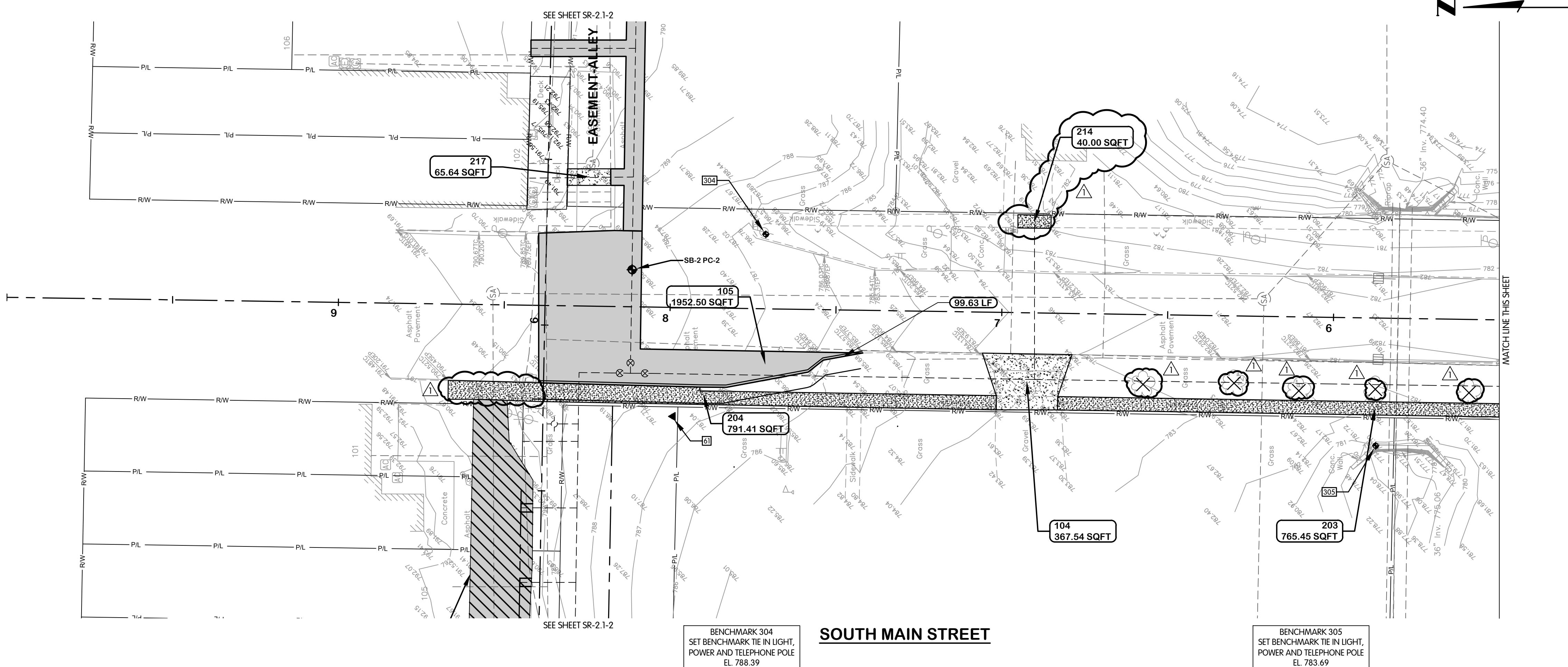
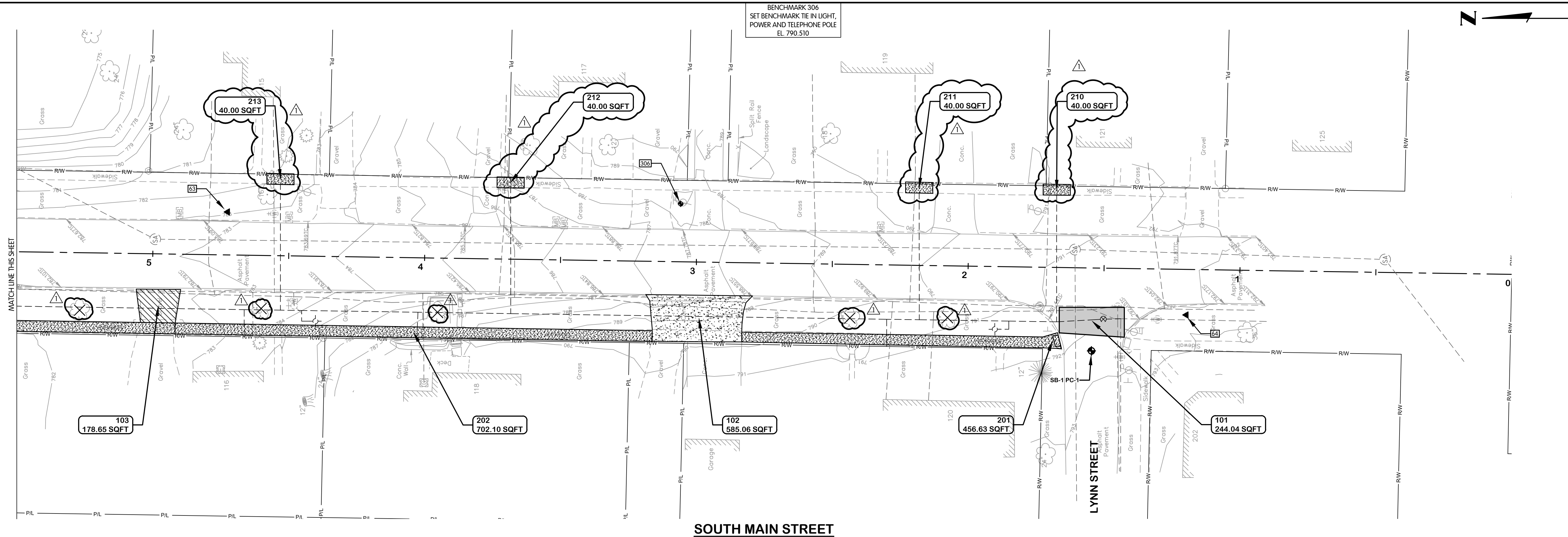
DATE: SEPTEMBER 2024

SHEET NO. SR-0.1

11 OF 13

NO. 1 2 3 4 5 6 7 8 9 10 11 12 13 14 15 16 17 18 19 20 21 22 23 24 25 26 27 28 29 30 31 32 33 34 35 36 37 38 39 40 41 42 43 44 45 46 47 48 49 50 51 52 53 54 55 56 57 58 59 60 61 62 63 64 65 66 67 68 69 70 71 72 73 74 75 76 77 78 79 80 81 82 83 84 85 86 87 88 89 90 91 92 93 94 95 96 97 98 99 100

TOL-804801SR-SOUTH MAIN ST. OPEN CUT SURFACE RESTORATION PLANS 0+00 TO 10+00
 10/11/2024, 3:26 PM - JHARRISON
 10/11/2024, 3:30 PM



**SOUTH MAIN STREET
 OPEN CUT SURFACE RESTORATION
 PLANS
 STA. 0+00 TO 10+00**

VILLAGE OF WEST UNITY, OHIO SOUTH MAIN STREET WATER LINE REPLACEMENT

NO.	1	2	3	4	5	6	7	8	9	10
DATE										
REVISIONS AFTER ISSUED FOR BID										
BY										

**Jones & Henry
 Engineers, Ltd.**

Fluid thinking®
 www.JHeng.com

JOB NO. 982-8048.001

SCALE 1"=20'

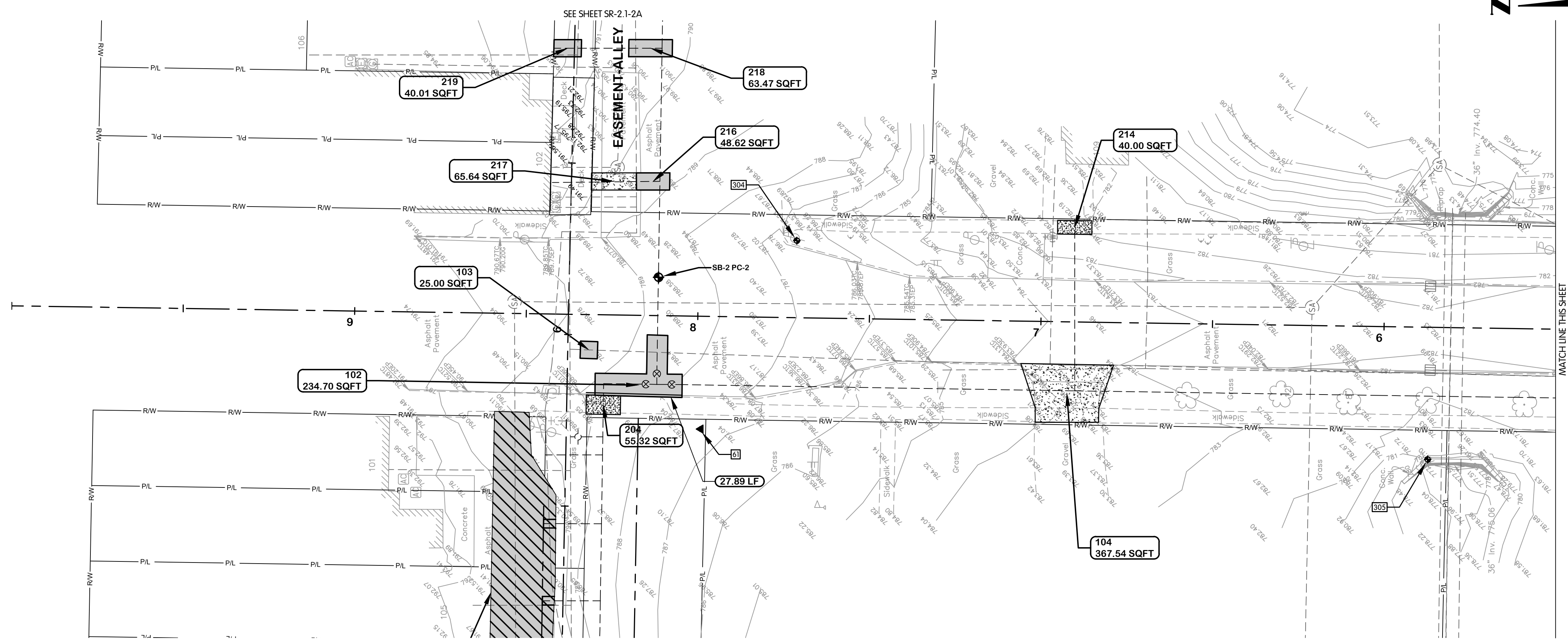
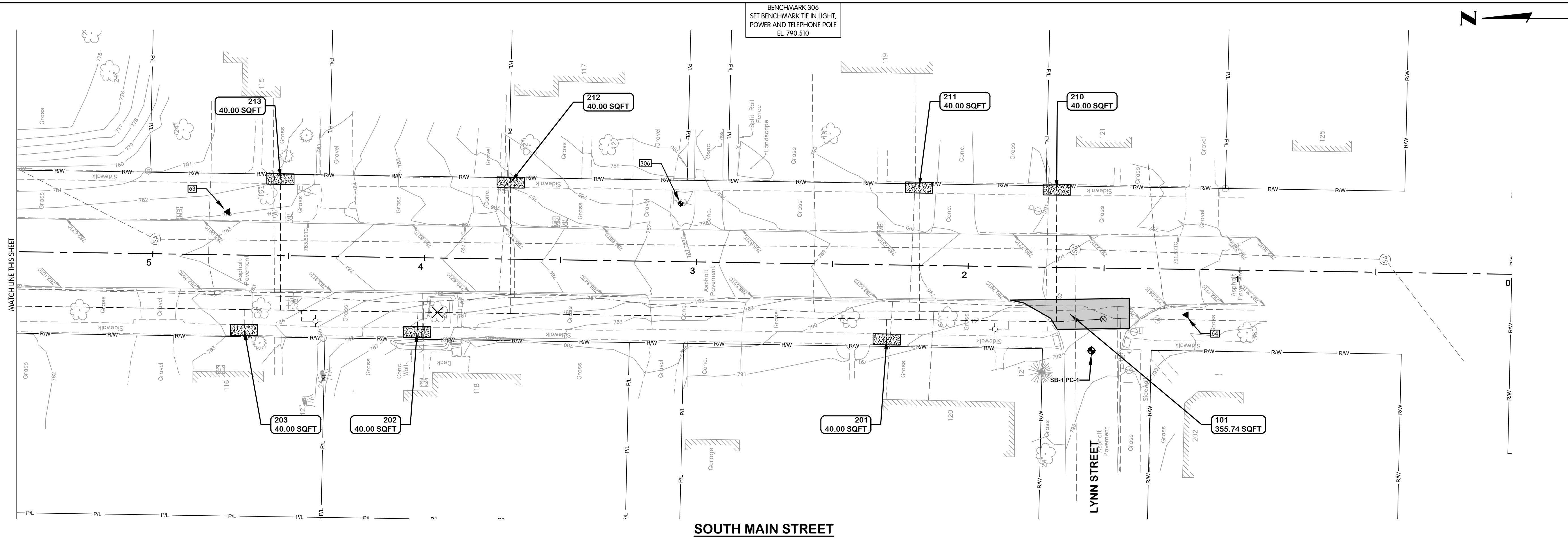
DESIGNED KMB DRAWN CAL CHECKED TMB

STATUS ISSUED FOR BID

DATE SEPTEMBER 2024

SHEET NO. SR-1.1-2
 12 OF 13

TOL-804801SR-SOUTH MAIN ST SURFACE RESTORATION TRENCHLESS PLANS 0+00 TO 10+00
 10/11/2024, 3:26 PM - JHARRISON
 10/11/2024, 3:30 PM



**SOUTH MAIN STREET
 TRENCHLESS SURFACE RESTORATION
 PLANS
 STA. 0+00 TO 10+00**

VILLAGE OF WEST UNITY, OHIO SOUTH MAIN STREET WATER LINE REPLACEMENT

NO.	DATE	REVISIONS AFTER ISSUED FOR BID	BY
1	10/01/24	ADDENDUM 1	KMB
2			
3			
4			
5			

**Jones & Henry
 Engineers, Ltd.**

Fluid thinking.
 www.JHeng.com

JOB NO. 982-8048.001

SCALE 1"=20'

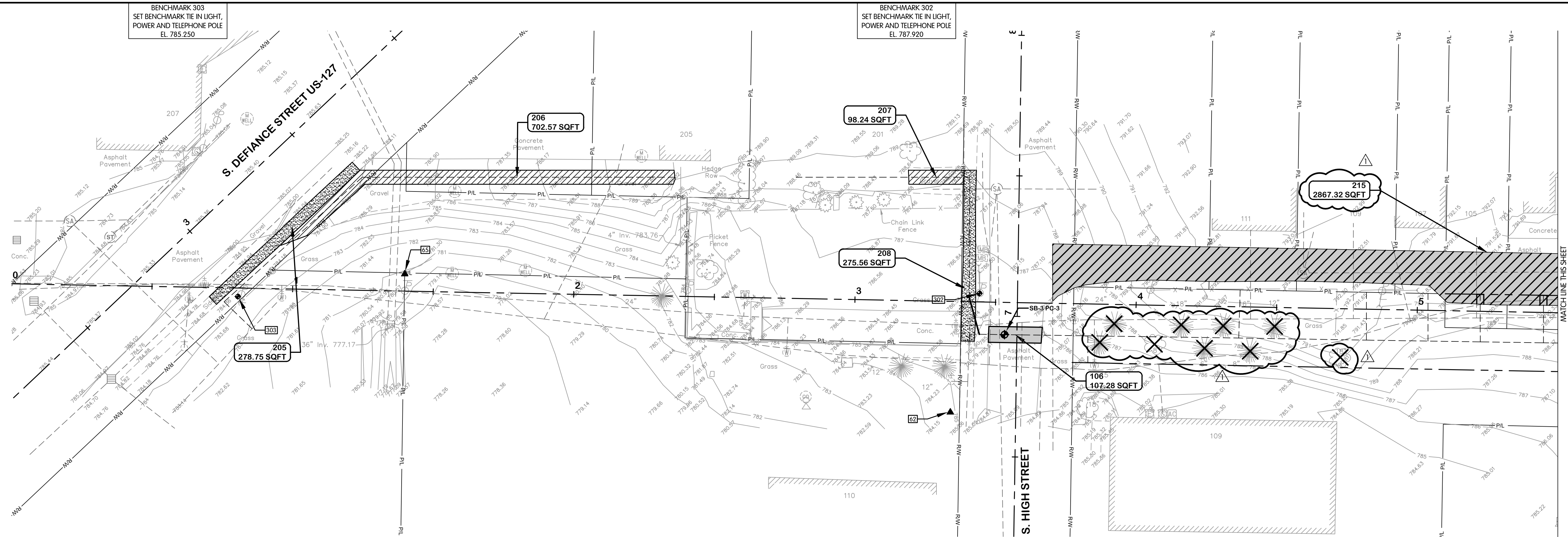
THIS LINE SCALES IF WHEN PLOTTED TO NOTED SCALE

DESIGNED	DRAWN	CHECKED
KMB	JAH	TMB

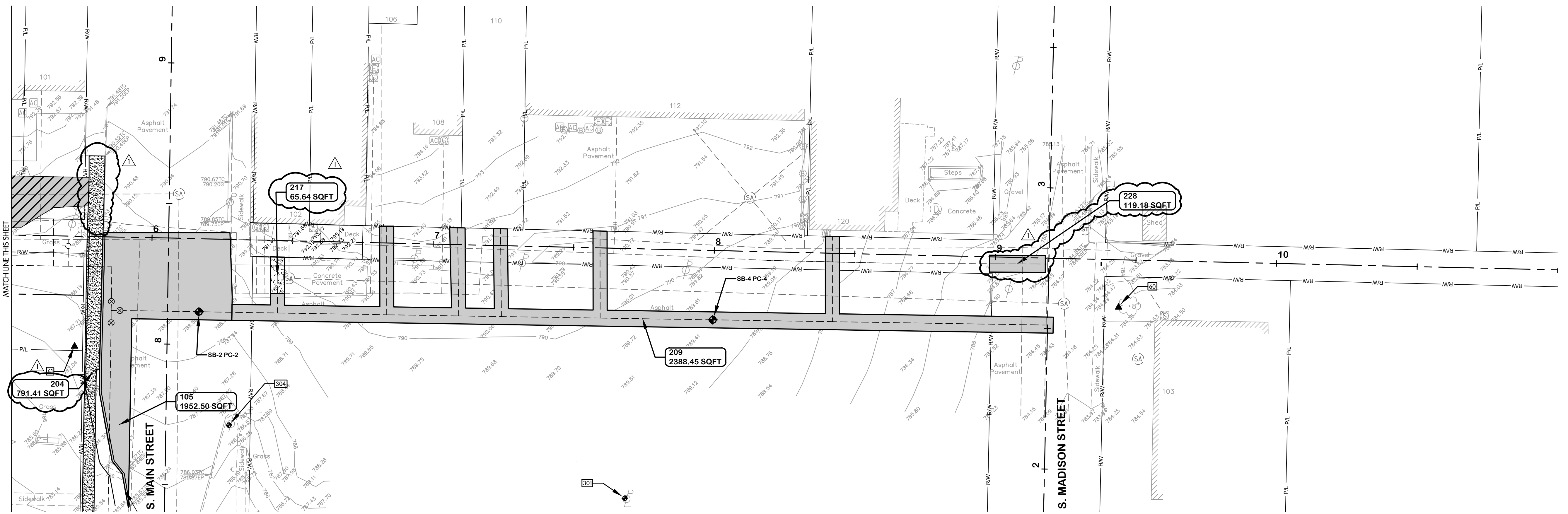
STATUS: ISSUED FOR BID
 DATE: SEPTEMBER 2024

SHEET NO.
SR-1.1-2A
 12A OF 13

TOL-804801SR2-EASEMENT-ALLEY OPEN CUT SURFACE RESTORATION PLANS 0+00 TO 11+00
 10/11/2024, 3:28 PM - JHARRISON
 10/11/2024, 3:31 PM



EASEMENT-ALLEY



EASEMENT-ALLEY



**EASEMENT-ALLEY
 OPEN CUT SURFACE RESTORATION
 PLANS
 STA. 0+00 TO 11+00**

VILLAGE OF WEST UNITY, OHIO SOUTH MAIN STREET WATER LINE REPLACEMENT

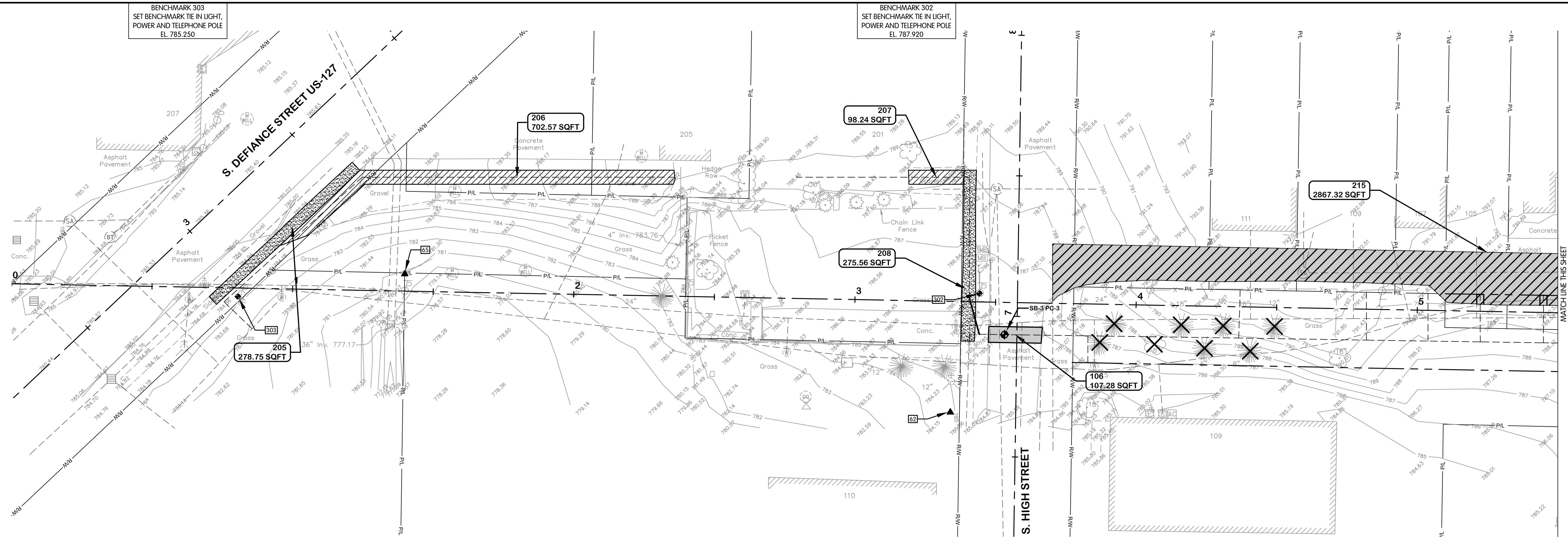
NO.	DATE	REVISIONS AFTER ISSUED FOR BID	BY
1	10/11/24	ADDENDUM 1	KMB

Jones & Henry
 Engineers, Ltd.

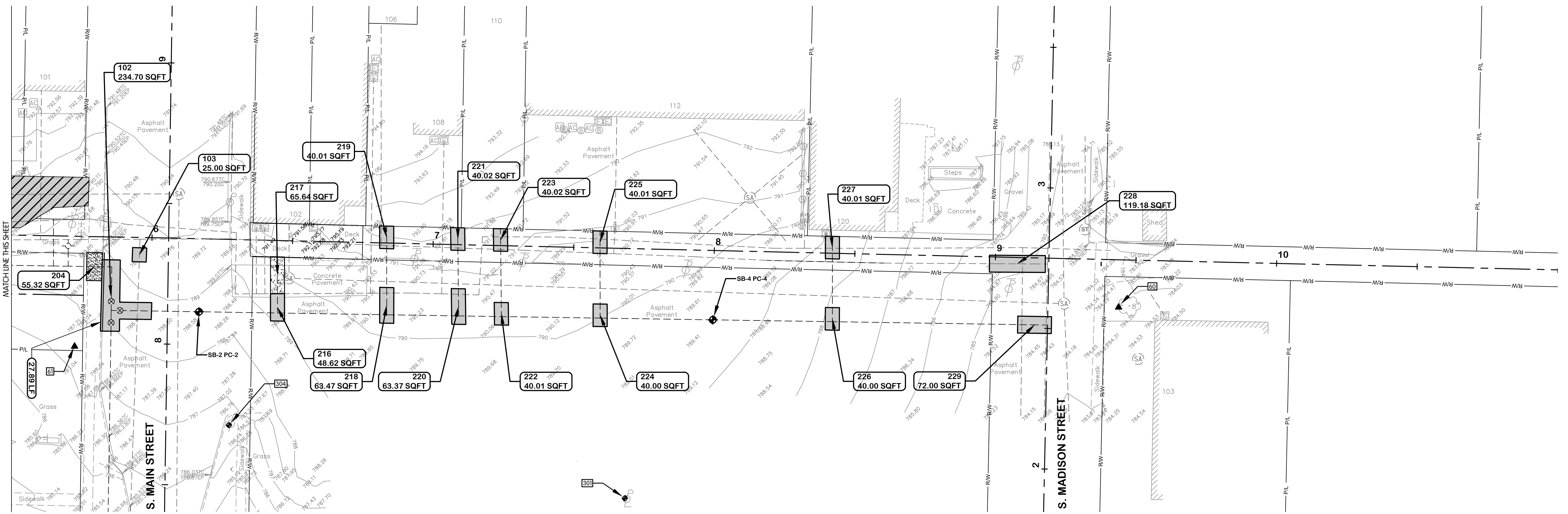
Fluid thinking.
 www.JHeng.com

JOB NO. 982-8048.001
 SCALE 1"=20'
 THIS LINE SCALES IF WHEN PLOTTED TO NOTED SCALE
 DESIGNED KMB DRAWN BJD CHECKED TMB
 STATUS ISSUED FOR BID
 DATE SEPTEMBER 2024
 SHEET NO. SR-2.1-2
 13 OF 13

TOL-804801SR2-EASEMENT-ALLEY TRENCHLESS SURFACE RESTORATION PLANS 0+00 TO 11+00
 10/11/2024, 3:28 PM - JHARRISON
 10/11/2024, 3:31 PM



EASEMENT-ALLEY



EASEMENT-ALLEY



**EASEMENT-ALLEY
 TRENCHLESS SURFACE RESTORATION
 PLANS
 STA. 0+00 TO 11+00**

VILLAGE OF WEST UNITY, OHIO SOUTH MAIN STREET WATER LINE REPLACEMENT

NO.	DATE	REVISIONS AFTER ISSUED FOR BID	BY
1	10/10/24	ADDENDUM 1	KMB

**Jones & Henry
 Engineers, Ltd.**

Fluid thinking®
 www.JHeng.com

JOB NO. 982-8048.001

SCALE: THIS LINE SCALES 1" WHEN PLOTTED TO NOTED SCALE

DESIGNED	DRAWN	CHECKED
KMB	JAH	TMB

STATUS: ISSUED FOR BID
 DATE: SEPTEMBER 2024

SHEET NO.
SR-2.1-2A
 13A OF 13